



Quality Access Doors- FAST!

# SUBMITTAL/TECHNICAL DATA SHEET

## DESCRIPTIONS

Exterior Access Door provides efficient access from the exterior of your building without compromising security or weather resistance.

## FEATURES

- Building Key Compatible
- Insulated for Temperature Control
- Tested for Air and Water Penetration

## SPECIFICATIONS

MODEL: BXT/BXP

DOOR: 24 gauge Steel

FRAME: .080 inch 6063-T5 Extruded Aluminum

SIZE:  
Min: 12 inches by 12 inches  
Max: 48 inches by 60 inches

INSTALLATION: Wall

FLANGE: 1 inch Exposed, or Stucco/Plaster Bead

HINGE: Stainless Steel Continuous Piano

FINISH: Mill

WARRANTY: 1 year

OPTIONS: Flanges, Latches, and Materials

SKU: **BAG-BXP**

## EXTERIOR ACCESS DOOR



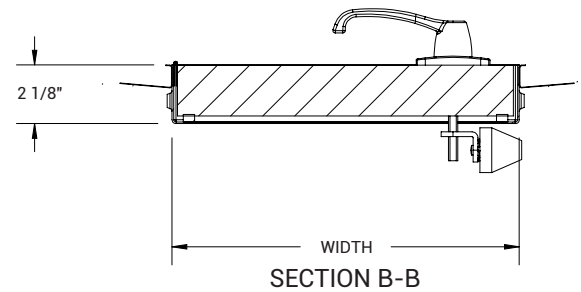
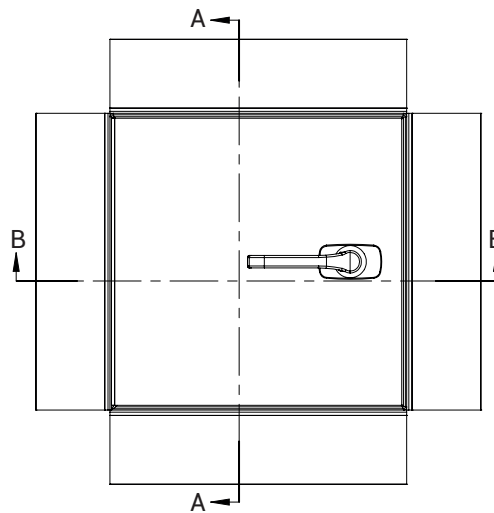
## DIMENSIONS AND APPEARANCE

>> CLICK TO VIEW ADDITIONAL DETAILS AND PRICING <<

### ORDER GUIDE:

BASE	FLANGE	LATCH	WIDTH	X	LENGTH	OPTIONS
BX						
	T 1 inch Flange	A Non-Locking Handle C Screwdriver Cam Latch	STANDARD SIZES (W X L)			A ALUMINUM DOOR
	P Plaster Bead	L Locking Handle M Mortise Lock Prep (1-1/8") P Padlock Hasp	12" X 12"		24" X 24"	C DRIP CAP
			16" X 16"		24" X 30"	P PADLOCK HASP
			18" X 18"		24" X 36"	S STAINLESS STEEL, TYPE 304
			20" X 30"		36" X 36"	

Rough opening is door size. Additional sizes available, call for more information.





For Detailed Specifications See Submittal Sheet

For a complete list of options visit [www.BestAccessDoors.ca](http://www.BestAccessDoors.ca)

## PROJECT DATA

Custom Sizes Available - Fast!

PROJECT NAME :	QTY	W	H	OPTIONS
ARCHITECT :				
DEALER :				
CONTRACTOR :				
LOCATION :	SPECIAL INSTRUCTIONS :			
DATE :				
TAGGING INSTRUCTIONS :	SUBMITTAL APPROVAL : (signature or stamp)			

Scan  or  Click



To view Pricing and Additional Product Info.



TELEPHONE:  
1-800-483-0823  
FAX:  
1-888-828-6021



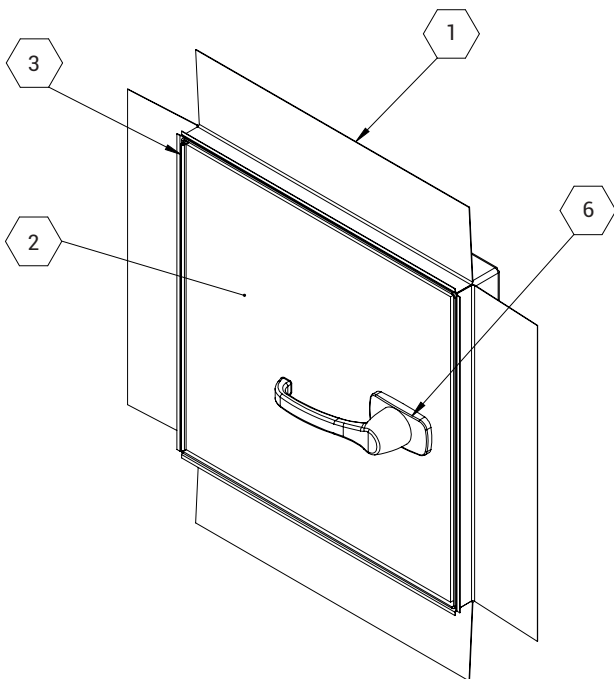
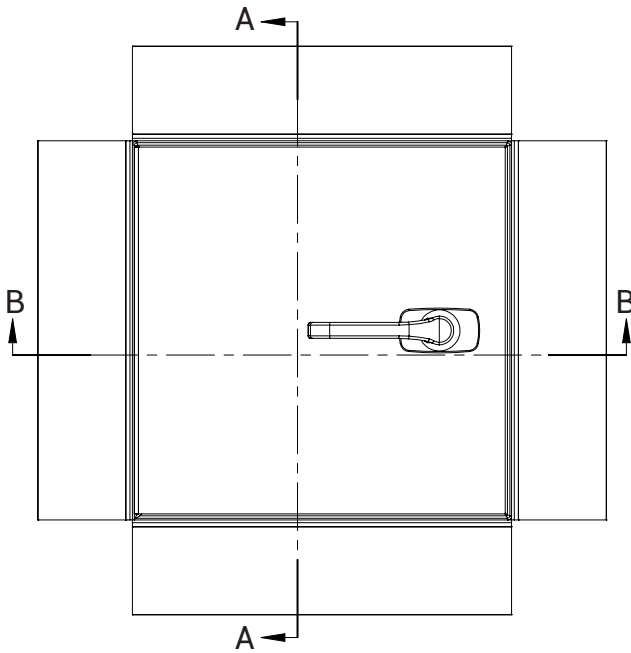
385 WILSON STREET EAST,  
SUITE 302  
ANCASTER, ON, L9G 2C1  
CANADA



WEBSITE:  
[www.BestAccessDoors.ca](http://www.BestAccessDoors.ca)  
E-MAIL:  
[info@bestaccessdoors.ca](mailto:info@bestaccessdoors.ca)

# BAC-BXP

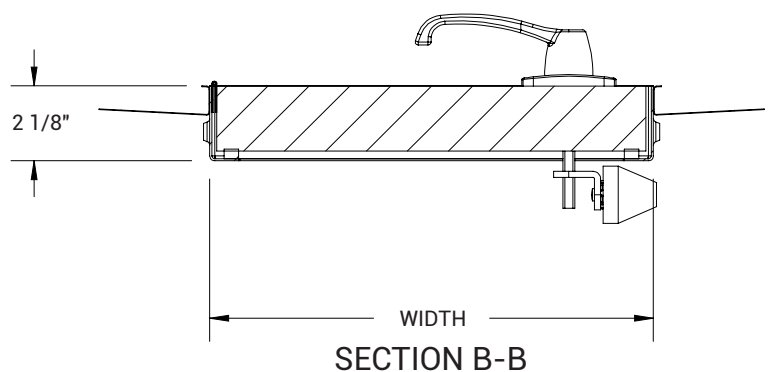
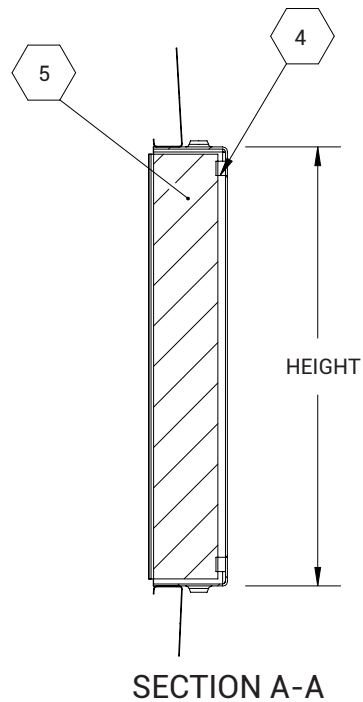
# EXTERIOR ACCESS DOOR



**NOTES:**

- ① FRAME: 16Ga GALV G90 Steel, Plaster Bead
- ② DOOR:
- ③ HINGE:
- ④ GASKET: Self-adhesive Closed Cell Foam Tape
- ⑤ INSULATION: Foam Insulation, 2-1/4lb Density, 12 R-Value
- ⑥ LATCH: Non-Locking Handle

ROUGH OPENING: W" X H"  
CLEAR OPENING: W - 3.125" X H - 2.0"  
DEGREE OF OPENING: 180°  
# LATCHING POINTS: Varies



# BAC-BXP

# EXTERIOR ACCESS DOOR

