



Quality Access Doors- FAST!

SUBMITTAL/TECHNICAL DATA SHEET



SKU: **BAG-BTS**

TOP SECURITY ACCESS DOOR

DESCRIPTIONS

Non-Rated Top Security Access Door provides access through openings in vertical surfaces and is manufactured with detention-grade materials. This pan style access door includes a heavy-duty butt hinge welded on the surface of the door to prevent unwanted access.

FEATURES

- Fire-Rated
- Self-Closing Door
- Wall Installation Only
- Custom Sizing

SPECIFICATIONS

MODEL: BTS

DOOR: 7 gauge Steel

FRAME: 2 inch by 3 inch by 3/16 inch Steel Angle

SIZE:
Min: 12 inches by 12 inches
Max: 48 inches by 54 inches

INSTALLATION: Wall

FLANGE: Exposed

HINGE: Heavy Duty Butt, Surface Mounted

FINISH: White Powder Coat

WARRANTY: 1 year

OPTIONS: Latches, Gaskets, Anchors and Materials

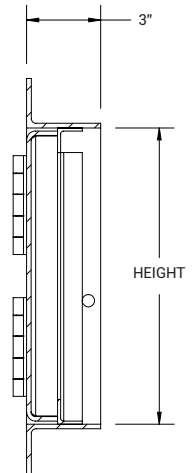
DIMENSIONS AND APPEARANCE

>> CLICK TO VIEW ADDITIONAL DETAILS AND PRICING <<

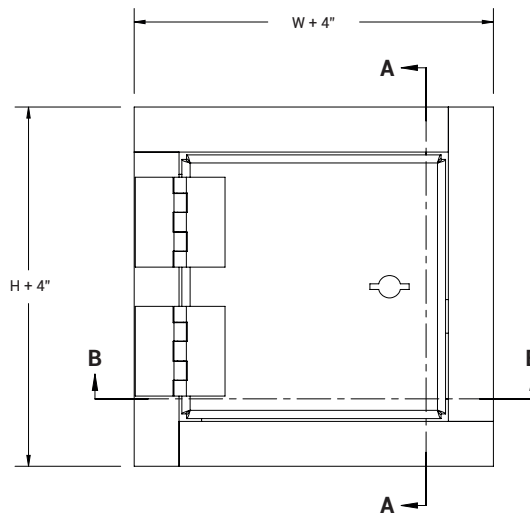
ORDER GUIDE:

BASE	LATCH	WIDTH	X	LENGTH	OPTIONS
BTS					
	D Detention Lock Prep	STANDARD SIZES (W X L)			G Gasketing
	M Mortise Lock Prep (1-1/8")	12" X 12"		24" X 24"	M Masonry Anchors
		16" X 16"		24" X 36"	S Stainless Steel, Type 304
		18" X 18"		24" X 40"	
		22" X 30"		24" X 48"	

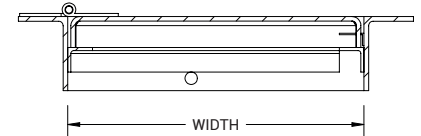
*Vertical openings only. Rough opening is door size + 3/4 inch minimum. Additional sizes available, call for more information.



SECTION A-A



For Detailed Specifications See Submittal Sheet



SECTION B-B

For a complete list of options visit www.BestAccessDoors.ca

PROJECT DATA

Custom Sizes Available - Fast!

PROJECT NAME :	QTY	W	H	OPTIONS
ARCHITECT :				
DEALER :				
CONTRACTOR :				
LOCATION :	SPECIAL INSTRUCTIONS :			
DATE :				
TAGGING INSTRUCTIONS :	SUBMITTAL APPROVAL : (signature or stamp)			

Scan or Click



To view Pricing and Additional Product Info.

TELEPHONE:
1-800-483-0823
FAX:
1-888-828-6021



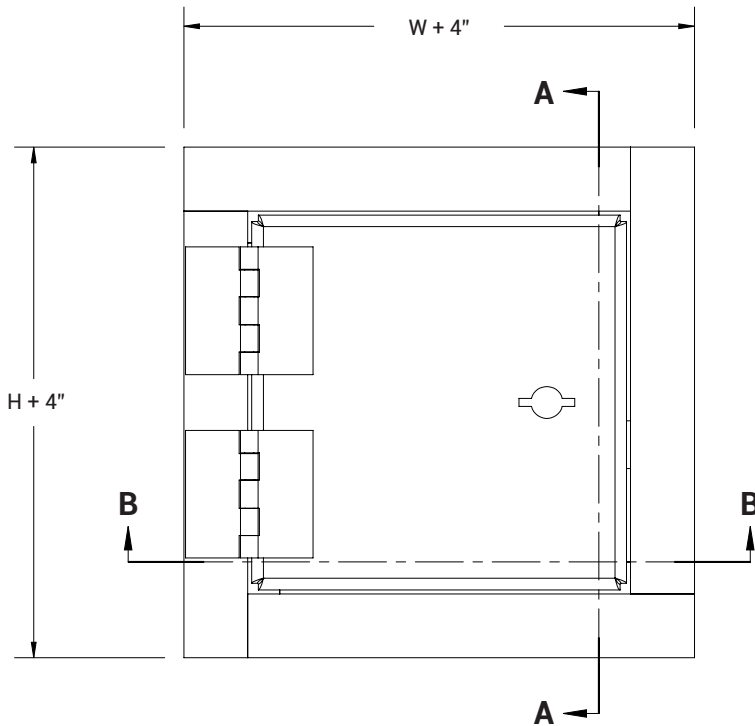
385 WILSON STREET EAST,
SUITE 302
ANCASTER, ON, L9G 2C1
CANADA



WEBSITE:
www.BestAccessDoors.ca
E-MAIL:
info@bestaccessdoors.ca

BAC-BTS

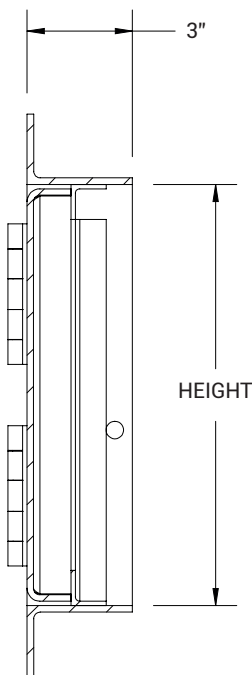
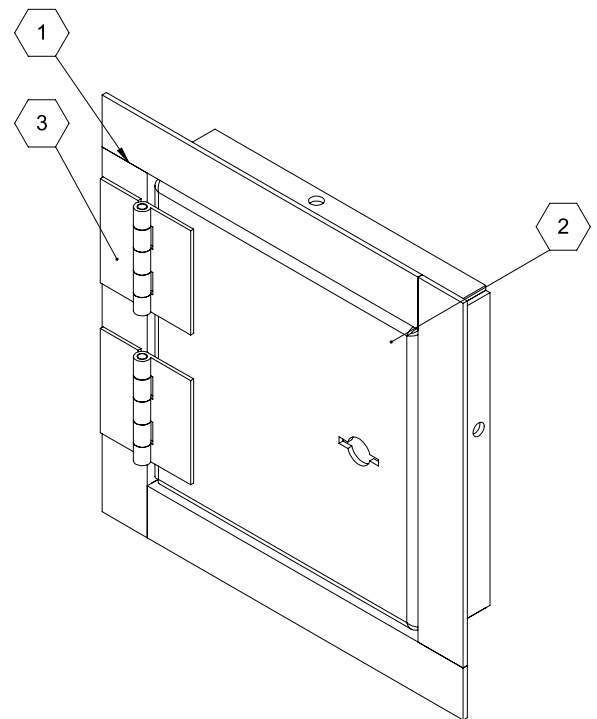
NON-RATED TOP SECURITY ACCESS DOOR



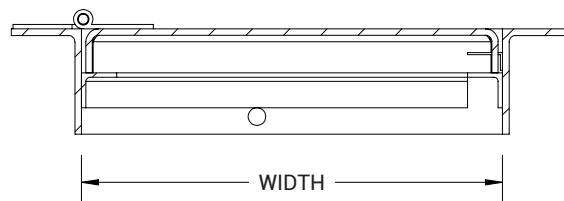
NOTES:

- ① FRAME: STEEL 2" X 3" X 3/16" ANGLE, 2" X 3" STEEL FRAME
- ② DOOR: CRS 7 GA
- ③ HINGE: HEAVY DUTY BUTT HINGES
- ④ LOCK: DETENTION PREP

ROUGH OPENING: $W + 0.75" \times H + 0.75"$
 CLEAR OPENING: $W - 2" \times H - 2"$
 DEGREE OF OPENING: 180°



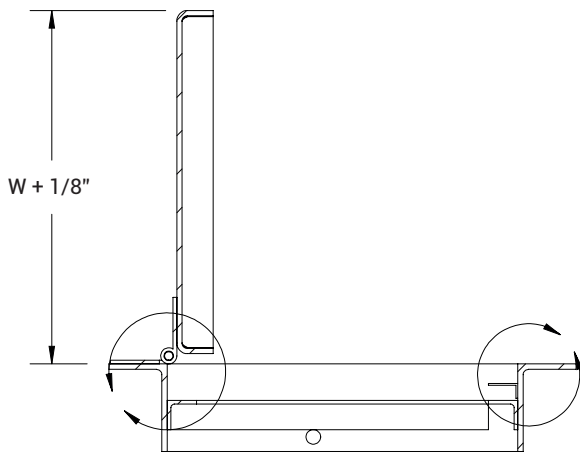
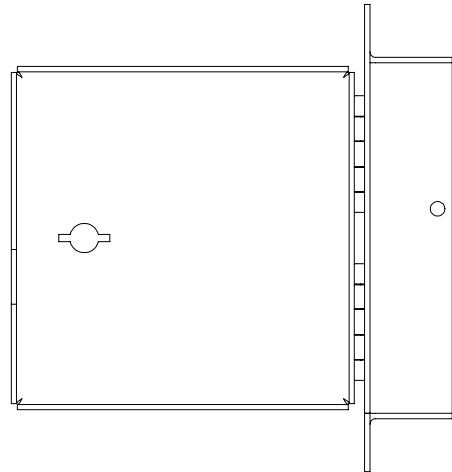
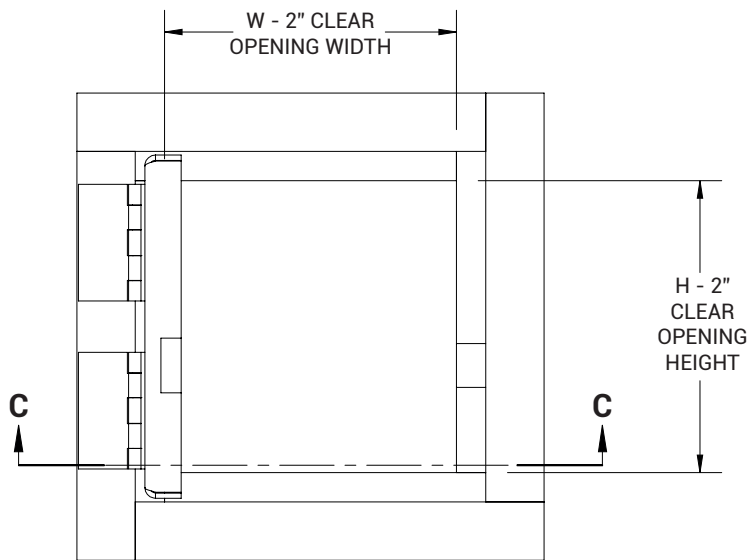
SECTION A-A



SECTION B-B

BAC-BTS

NON-RATED TOP SECURITY ACCESS DOOR



SECTION C-C

