



Quality Access Doors- FAST!

SUBMITTAL/TECHNICAL DATA SHEET

DESCRIPTIONS

Drywall Access Door provides simple access through a vertical or horizontal surface with push latching door. Engineered with a welded aluminum frame and an optional removable door that is designed to receive 1/2 inch or 5/8 inch drywall infill to seamlessly integrate into the surrounding wall.

FEATURES

- Optional Double Door
- Push Latching Door
- Safety Cord

SPECIFICATIONS

MODEL: BRGB/BRGBR/BRGT

DOOR: Welded Aluminum, Drywall Infill

FRAME: Welded Aluminum

SIZE:
Min: 8 inches by 8 inches
Max: 24 inches by 24 inches

INSTALLATION: Wall or Ceiling

FLANGE: Exposed

HINGE: Welded Pin

FINISH: Mill

WARRANTY: 1 year

OPTIONS: Flanges, Latches, Materials, Gaskets

SKU: **BAC-BRGT**

DRYWALL ACCESS DOOR

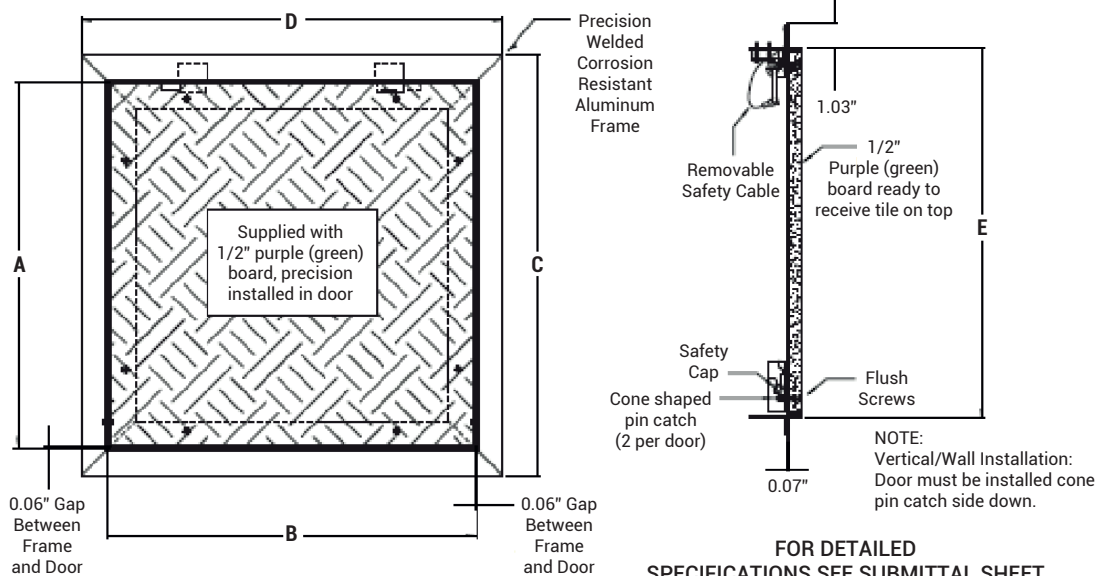


DIMENSIONS AND APPEARANCE

>> CLICK TO VIEW ADDITIONAL DETAILS AND PRICING <<

ORDER GUIDE:

BASE	FLANGE	WIDTH	X	LENGTH	OPTIONS	-	INFILL	
BRG			X			-		
	B No Flange	STANDARD SIZES			C	Screw Driver Cam Latch	500	-1/2" Drywall
	BR Plaster Bead	8" X 8"		20" X 20"	D	Double Door	625	-5/8" Drywall
	T Drywall Bead	12" X 12"		24" X 24"	L	Key Operated Cam Latch		
		16" X 16"						



FOR DETAILED SPECIFICATIONS SEE SUBMITTAL SHEET

For a complete list of options visit www.BestAccessDoors.ca

PROJECT DATA

Custom Sizes Available - Fast!

PROJECT NAME :	QTY	W	H	OPTIONS
ARCHITECT :				
DEALER :				
CONTRACTOR :				
LOCATION :	SPECIAL INSTRUCTIONS :			
DATE :				
TAGGING INSTRUCTIONS :	SUBMITTAL APPROVAL : (signature or stamp)			

Scan or Click



To view Pricing and Additional Product Info.

TELEPHONE:
1-800-483-0823
FAX:
1-888-828-6021

385 WILSON STREET EAST,
SUITE 302
ANCASTER, ON, L9G 2C1
CANADA

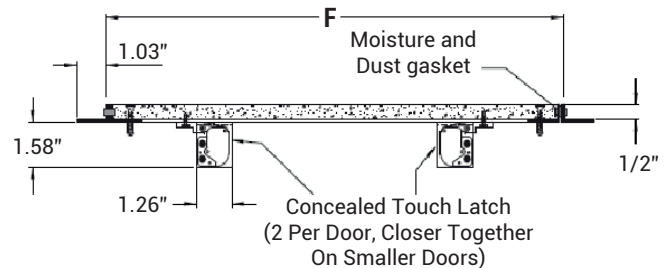
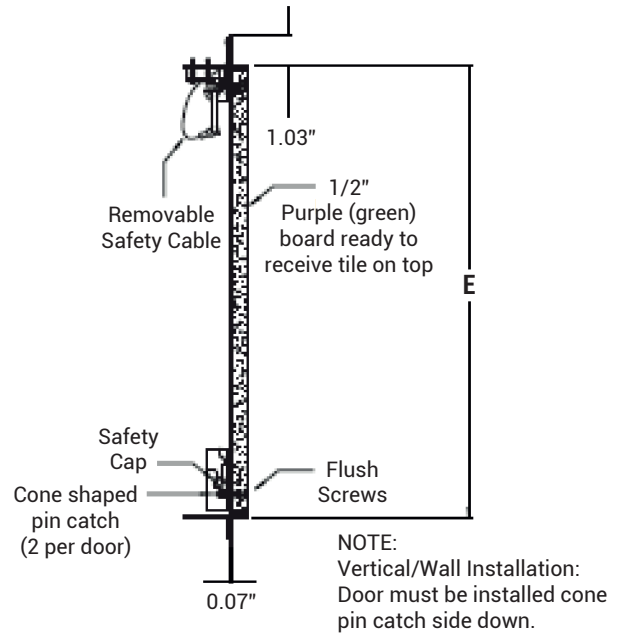
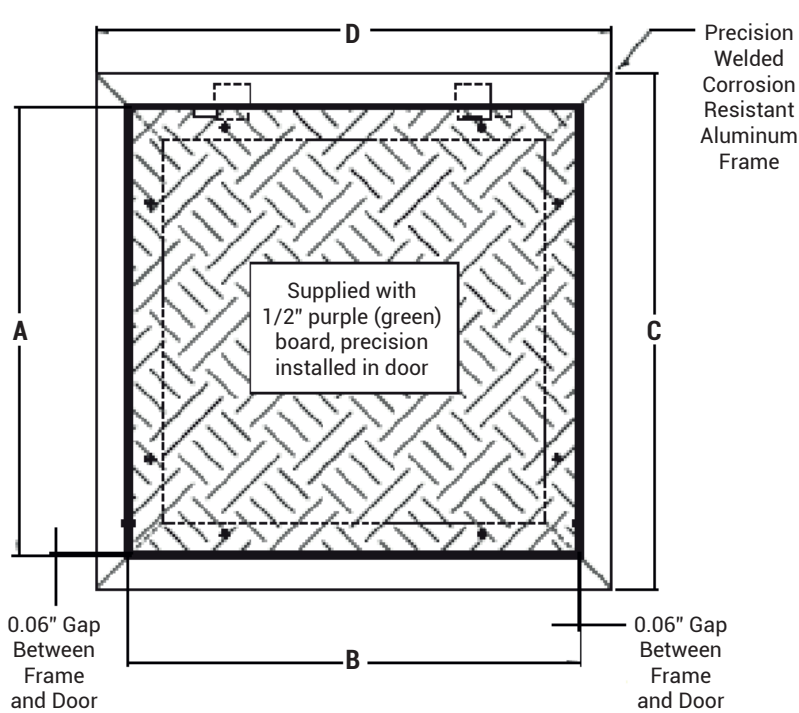


WEBSITE:
www.BestAccessDoors.ca
E-MAIL:
info@bestaccessdoors.ca

BAC-BRGT

DRYWALL ACCESS DOOR FOR 1/2" BACK BOARD

QTY	NOMINAL SIZE W X H		A		B		C		D		E		F	
	Inches	mm	Inches	mm	Inches	mm	Inches	mm	Inches	mm	Inches	mm	Inches	mm
	8 x 8	203 x 203	8.00	203	8.00	203	10.20	258	10.20	258	8.14	207	8.14	207
	12 x 12	305 x 305	12.00	305	12.00	305	14.20	359	14.20	359	12.14	308	12.14	308
	16 x 16	406 x 406	16.00	406	16.00	406	18.20	461	18.20	461	16.14	410	16.14	410
	20 x 20	508 x 508	20.00	508	20.00	508	22.20	562	22.20	562	22.14	512	22.14	512
	24 x 24	610 x 610	24.00	610	24.00	610	26.20	664	26.20	664	24.14	613	24.14	613

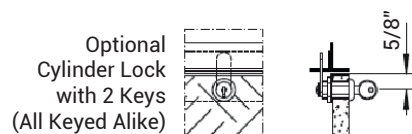


SPECIFICATIONS:

- CONCEALED TOUCH LATCH
- WELDED ALUMINUM FRAME
- WELDED ALUMINUM, NON-HINGED, REMOVABLE DOOR
- PRE-INSTALLED PRECISION BACK BOARD DESIGNED TO RECEIVE TILE
- MILL FINISH
- NON-SNAG REMOVABLE SAFETY CABLE
- SUPPLIED TO FIT 1/2" BACK BOARD
- ROUGH OPENING TO BE WIDTH/HEIGHT + 0.188"

OPTIONS:

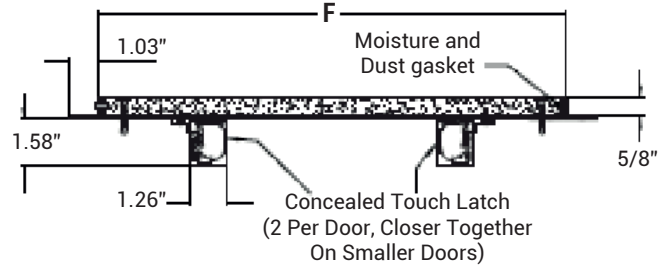
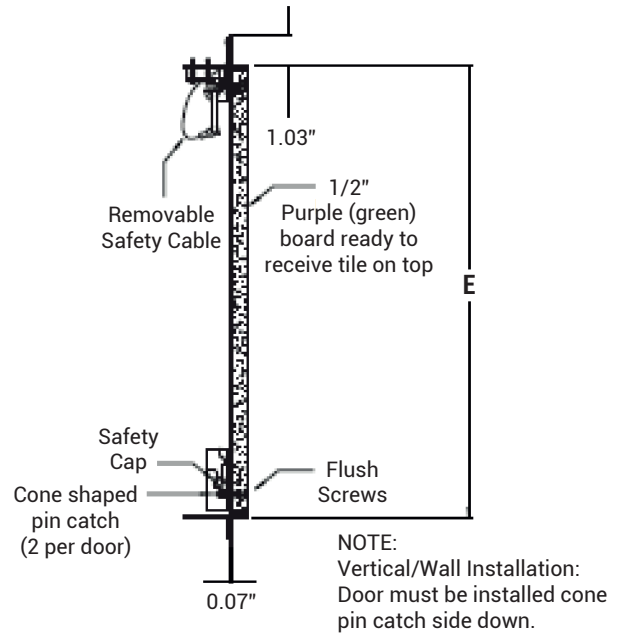
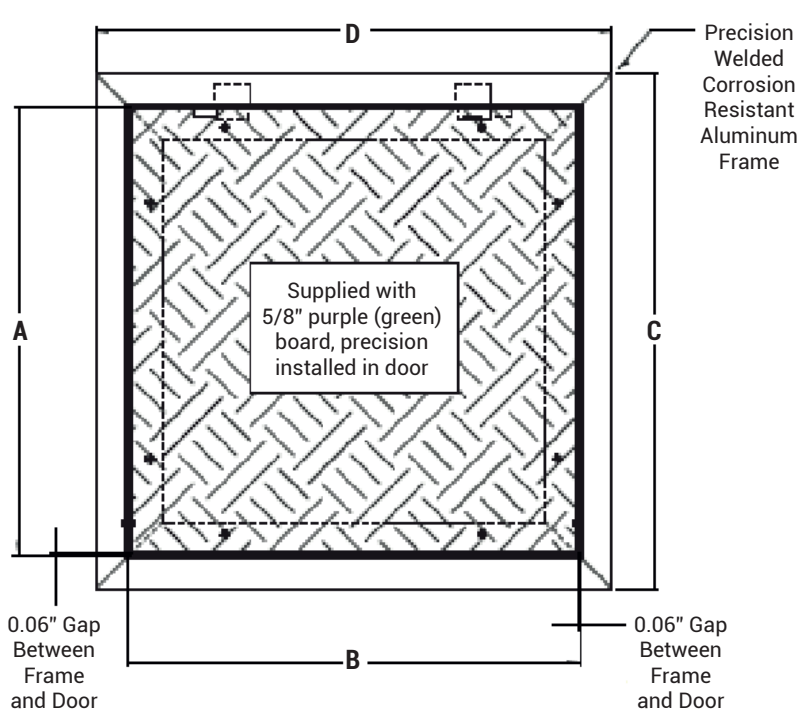
- CYLINDER LOCK WITH 2 KEYS (ALL KEYED ALIKE)
- RECESSED SQUARE CAM LATCH (USE WITH TOOL KEY, 1 PER 10 DOORS)



BAC-BRGT

DRYWALL ACCESS DOOR FOR 5/8" BACK BOARD

QTY	NOMINAL SIZE W X H		A		B		C		D		E		F	
	Inches	mm	Inches	mm	Inches	mm	Inches	mm	Inches	mm	Inches	mm	Inches	mm
	8 x 8	203 x 203	8.00	203	8.00	203	10.20	258	10.20	258	8.14	207	8.14	207
	12 x 12	305 x 305	12.00	305	12.00	305	14.20	359	14.20	359	12.14	308	12.14	308
	16 x 16	406 x 406	16.00	406	16.00	406	18.20	461	18.20	461	16.14	410	16.14	410
	20 x 20	508 x 508	20.00	508	20.00	508	22.20	562	22.20	562	22.14	512	22.14	512
	24 x 24	610 x 610	24.00	610	24.00	610	26.20	664	26.20	664	24.14	613	24.14	613



SPECIFICATIONS:

- CONCEALED TOUCH LATCH
- WELDED ALUMINUM FRAME
- WELDED ALUMINUM, NON-HINGED, REMOVABLE DOOR
- PRE-INSTALLED PRECISION BACK BOARD DESIGNED TO RECEIVE TILE
- MILL FINISH
- NON-SNAG REMOVABLE SAFETY CABLE
- SUPPLIED TO FIT 5/8" BACK BOARD
- ROUGH OPENING TO BE WIDTH/HEIGHT + 0.188"

OPTIONS:

- CYLINDER LOCK WITH 2 KEYS (ALL KEYED ALIKE)
- RECESSED SQUARE CAM LATCH (USE WITH TOOL KEY, 1 PER 10 DOORS)

