



Quality Access Doors- FAST!

SUBMITTAL/TECHNICAL DATA SHEET

DESCRIPTIONS

This Medium Security Access Door is manufactured with heavy-duty materials to prevent unwanted access for installation in any wall or ceiling surface.

FEATURES

- Secure Door
- Solid Hinge
- Custom Sizing

SPECIFICATIONS

MODEL: BMT/BMW/BMP

DOOR: 12 gauge Steel

FRAME: 12 gauge Steel

SIZE:
Min: 8 inches by 8 inches
Max: 36 inches by 48 inches

INSTALLATION: Wall

FLANGE: 1 inch Exposed, Drywall Bead or Plaster Bead

HINGE: Concealed Continuous Piano

FINISH: White Powder Coat

WARRANTY: 1 year

OPTIONS: Flanges, Latches, and Materials



SKU: **BAG-BMW**

MEDIUM SECURITY ACCESS DOOR

DIMENSIONS AND APPEARANCE

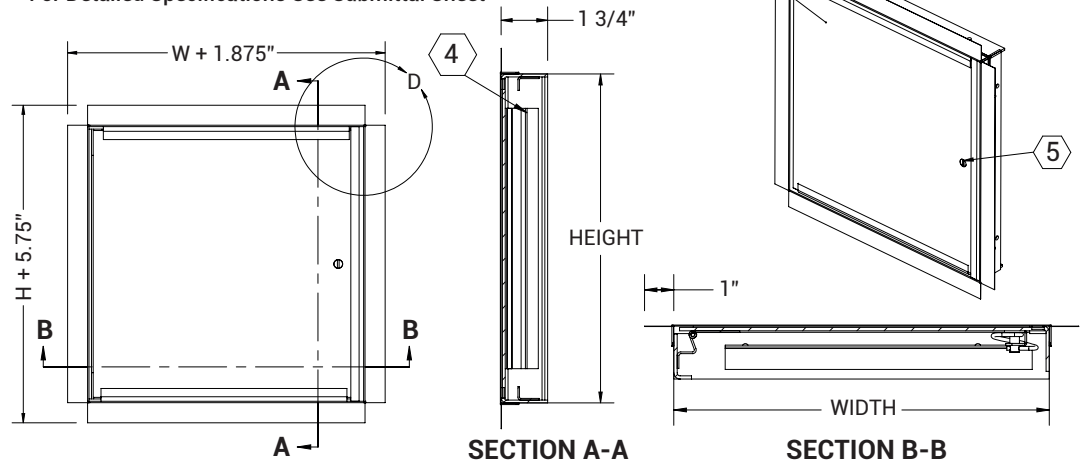
>> [CLICK TO VIEW ADDITIONAL DETAILS AND PRICING <<](#)

ORDER GUIDE:

BASE	FLANGE	LATCH	WIDTH	X	LENGTH	OPTIONS
BM			STANDARD SIZES (W X L)			
	T - 1 1/4 inch Flange	M - Mortise Lock Prep (1-1/8")	8" X 8"	16" X 20"	24" X 36"	B - Galvannealed
	W - Drywall Bead	P - Pinned Allen Head Cam Latch(es)	10" X 10"	18" X 18"	24" X 48"	
	P - Plaster Bead	S - Pinned Allen Head Security Screw(s)	12" X 12"	18" X 24"	30" X 30"	M - Masonry Anchors
		D - Detention Lock	12" X 18"	20" X 30"	30" X 36"	
			12" X 24"	22" X 22"	32" X 32"	
			14" X 14"	22" X 30"	36" X 36"	S - Type 304 Stainless Steel
			16" X 16"	24" X 24"	36" X 48"	
				24" X 30"		

Rough opening is door size + 1/4 inches.
Additional sizes available, call for more information.
Lead Time Average is 1-10 Days. Delivery time is additional.

For Detailed Specifications See Submittal Sheet



For a complete list of options visit www.BestAccessDoors.ca

PROJECT DATA

Custom Sizes Available - Fast!

PROJECT NAME :	QTY	W	H	OPTIONS
ARCHITECT :				
DEALER :				
CONTRACTOR :				
LOCATION :	SPECIAL INSTRUCTIONS :			
DATE :				
TAGGING INSTRUCTIONS :	SUBMITTAL APPROVAL : (signature or stamp)			

Scan or Click



To view Pricing and Additional Product Info.

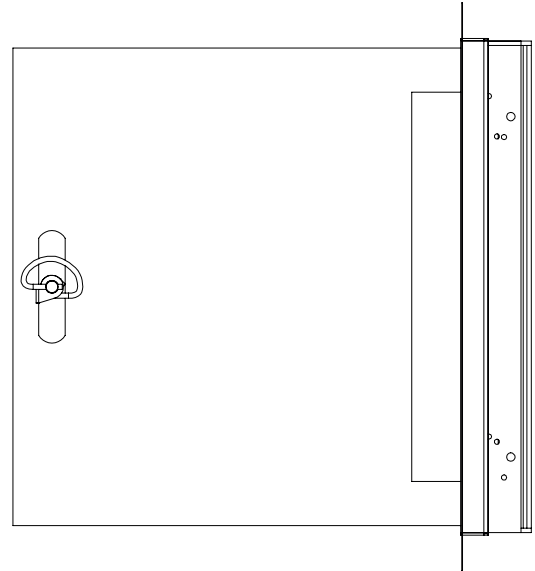
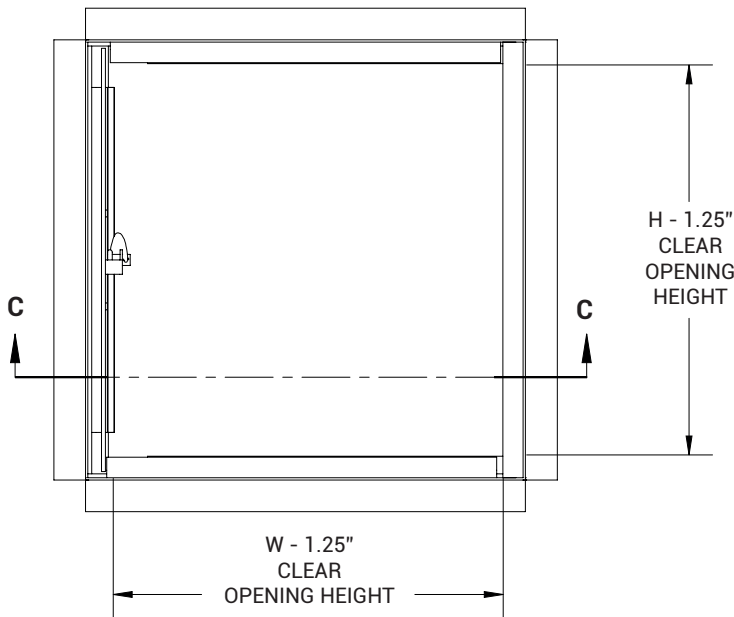
TELEPHONE:
1-800-483-0823
FAX:
1-888-828-6021

385 WILSON STREET EAST,
SUITE 302
ANCASTER, ON, L9G 2C1
CANADA



WEBSITE:
www.BestAccessDoors.ca
E-MAIL:
info@bestaccessdoors.ca

BAC-BMW MEDIUM SECURITY ACCESS DOOR



SPECIFICATIONS:

- ① DOOR : Cold Rolled Steel, 12 GA
- ② FRAME :
- ③ FINISH : White Powder Coat
- ④ HINGE : Concealed Continuous Piano Hinge
- ⑤ LATCH :
- ⑥ LOCK : No Lock

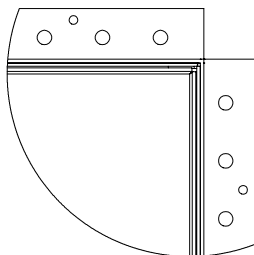
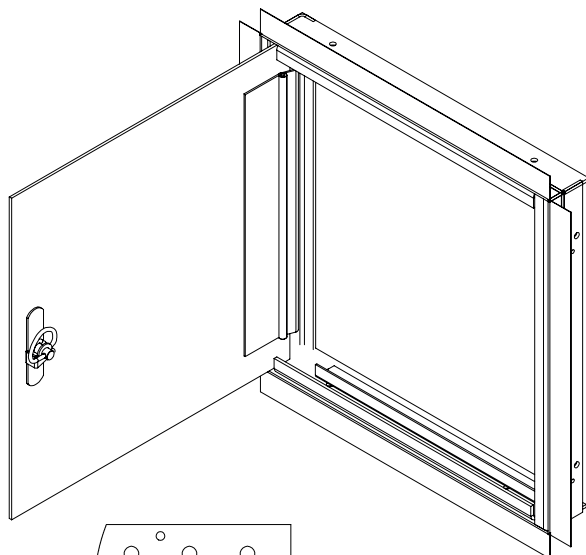
OPTIONS:

- Gasket Options (G)
- Drip Cap (C)

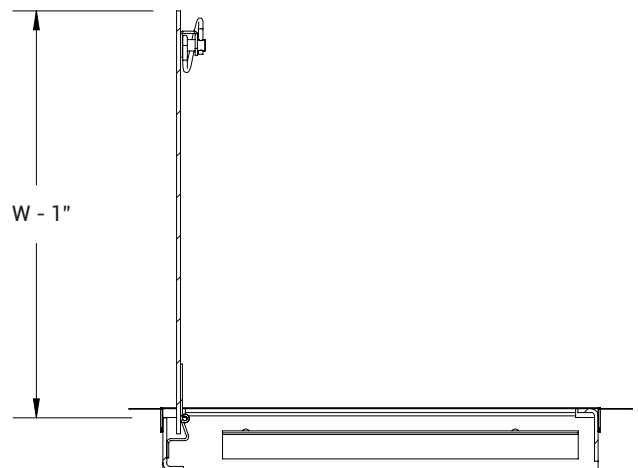
ROUGH OPENING: 0.25" X 0.25"

CLEAR OPENING: 1.25" X 1.25"

DEGREE OF OPENING: 105°



**DETAIL D
DRYWALL BEAD DETAIL
SCALE 1 : 4**



SECTION C-C