



Quality Access Doors- FAST!

SUBMITTAL/TECHNICAL DATA SHEET

DESCRIPTIONS

The Gasketed Access Door is an all purpose access door that provides reduced sound transmission and minimizes air filtration.

FEATURES

- EPDM Gasket reduces sound transmission and maintains air filtration
- Custom Sizing
- Easy installation and operation

SPECIFICATIONS

MODEL: BGT/BGW

DOOR: 16 gauge Steel

FRAME: 16 gauge Steel or 16 gauge Type 304 Stainless Steel

SIZE:

Minimum: 6 inches by 6 inches
Maximum: 36 inches by 72 inches or 48 inches by 48 inches

INSTALLATION: Walls or Ceilings

FLANGE: 1 1/4" inch exposed or Drywall Bead

HINGE: Concealed pin

GASKET: EPDM

LATCH: Screwdriver Cam Latch, Key Operated Cam Latch, or Mortise Lock (1-1/8 inch) Prep

FINISH: White Powder Coat (steel) or #4 Satin (stainless steel)

WARRANTY: 1 year

SKU: **BAG-BGW**

GASKETED ACCESS DOOR



DIMENSIONS AND APPEARANCE

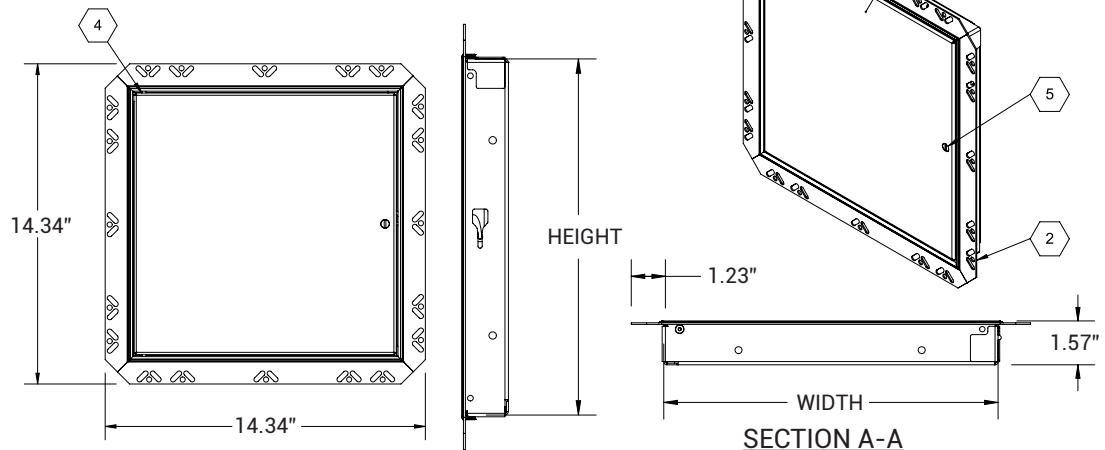
>> CLICK TO VIEW ADDITIONAL DETAILS AND PRICING <<

ORDER GUIDE:

| BASE | FLANGE | LATCH | WIDTH | X | LENGTH | OPTIONS |
|----------|------------------------------|---------------------------------------|------------------------|-----------|-----------|-------------------------------------|
| G | | | STANDARD SIZES (W X L) | | | |
| | T - 1 1/4 inch Flange | C - Screwdriver Cam | 6" X 6" | 16" X 20" | 24" X 36" | B - Galvannealed |
| | W - Drywall Bead | L - Keyed Cam Lock | 8" X 8" | 18" X 18" | 24" X 48" | |
| | | P - Pinned Hex Cam | 10" X 10" | 18" X 24" | 30" X 30" | S - Type 304 Stainless Steel |
| | | M - Mortise Lock (1-1/8") Prep | 12" X 12" | 20" X 30" | 30" X 36" | |
| | | | 12" X 18" | 22" X 22" | 32" X 32" | |
| | | | 12" X 24" | 22" X 30" | 36" X 36" | |
| | | | 14" X 14" | 24" X 24" | | |
| | | | 16" X 16" | 24" X 30" | | |

Rough opening is door size + 1/4 inches.
Additional sizes available, call for more information.
Lead Time Average is 1-10 Days. Delivery time is additional.

For Detailed Specifications See Submittal Sheet



For a complete list of options visit www.BestAccessDoors.ca

PROJECT DATA

Custom Sizes Available - Fast!

| PROJECT NAME : | QTY | W | H | OPTIONS |
|------------------------|---|---|---|---------|
| ARCHITECT : | | | | |
| DEALER : | | | | |
| CONTRACTOR : | | | | |
| LOCATION : | SPECIAL INSTRUCTIONS : | | | |
| DATE : | | | | |
| TAGGING INSTRUCTIONS : | SUBMITTAL APPROVAL : (signature or stamp) | | | |

Scan or Click



To view Pricing and Additional Product Info.

TELEPHONE:
1-800-483-0823

FAX:
1-888-828-6021

385 WILSON STREET EAST,
SUITE 302
ANCASTER, ON, L9G 2C1
CANADA

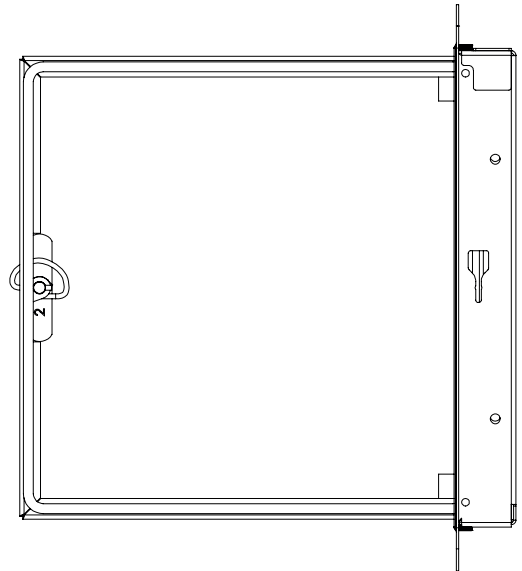
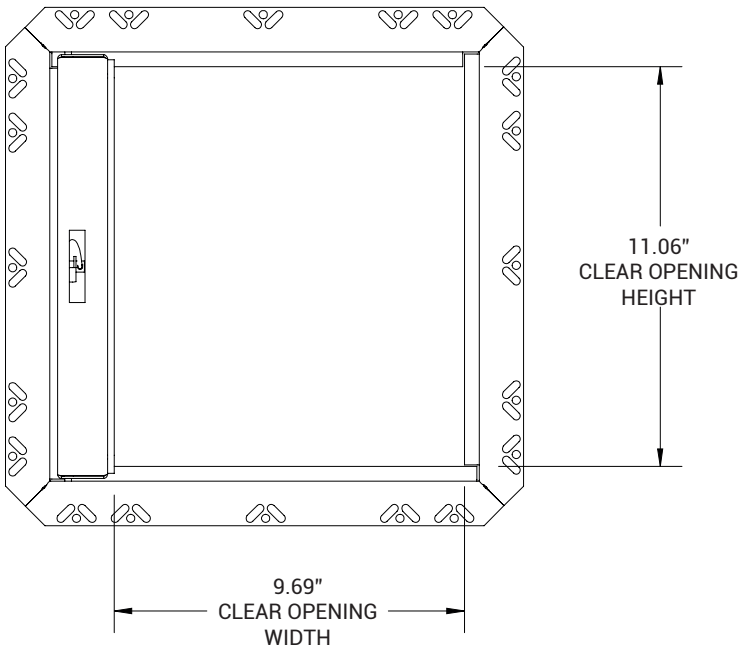


WEBSITE:
www.BestAccessDoors.ca

E-MAIL:
info@bestaccessdoors.ca

BAC-BGW

GASKETED ACCESS DOOR



SPECIFICATIONS:

- ① DOOR : 16ga steel
- ② FRAME : 16 ga steel, 1.25 in. Flange
- ③ FINISH : White pwd
- ④ HINGE : Concealed Pin Hinge
- ⑤ LATCH :
- ⑥ GASKET : Continuous, EPDM

OPTIONS:

- Galvannealed

ROUGH OPENING: 12.25" X 12.25"

CLEAR OPENING: 9.69" X 11.06"

DEGREE OF OPENING: 120°

