



Quality Access Doors- FAST!

# SUBMITTAL/TECHNICAL DATA SHEET

## APPLICATION

- Designed to provide a gasketed fit in all types of walls and ceilings
- This door is commonly used in clean rooms, laboratories, operating rooms, etc.

## FEATURES

- Gasketed access door
- Formed door panel with reinforced edges and a concealed hinge, along with open cell gasket between the door and frame

## SPECIFICATIONS

**DOOR / DOOR FRAME:** Stainless Steel or Steel: 18 gauge door, 18 gauge mounting frame, flange to be 1" wide

**HINGE:** Concealed

**GASKET:** Pemko S88 adhesive-backed bulb silicone gasket

**STANDARD LATCH:** Stainless steel screwdriver operated cam latch

**OPTIONAL LATCHES/LOCKS:** Cylinder lock & key, allen head cam latch, spanner head cam latch

**FINISH:** Stainless steel: #4 satin polish. Steel: 5 stage iron phosphate with prime coat of White alkyd baked-on enamel

Please note the BAC-AS-9000 has not been tested for air penetration. For a door that has been tested for Air & Water penetration see BAC-ADWT model

For a complete list of options visit [www.BestAccessDoors.ca](http://www.BestAccessDoors.ca)

SKU: **BAC-AS-9000**

# SPECIALTY DOORS

## GASKETED ACCESS DOOR



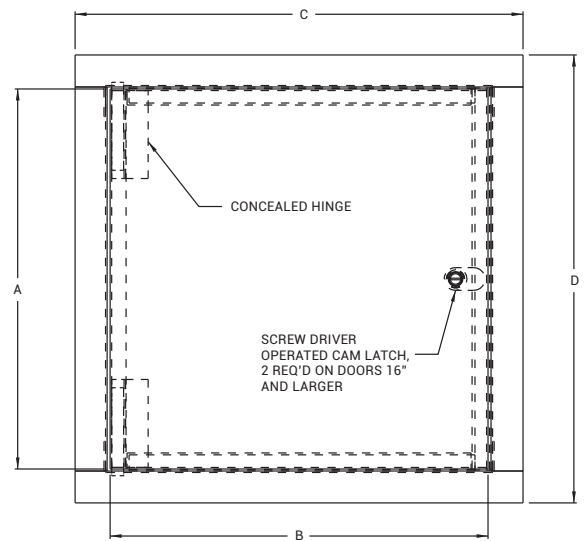
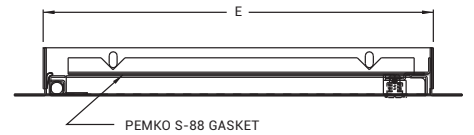
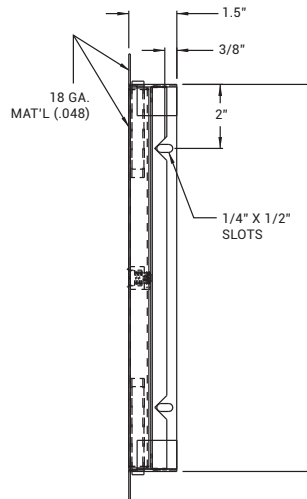
## DIMENSIONS AND APPEARANCE

>> [CLICK TO VIEW ADDITIONAL DETAILS AND PRICING](#) <<

| DOOR SIZE W x H<br>INCHES (MM) | WEIGHT |      |
|--------------------------------|--------|------|
|                                | LBS    | KG   |
| 12 x 12 (305 x 305)            | 6      | 2.7  |
| 16 x 16 (406 x 406)            | 10     | 4.5  |
| 18 x 18 (457 x 457)            | 11.5   | 5.1  |
| 24 x 24 (610 x 610)            | 19     | 8.4  |
| 24 x 36 (610 x 914)            | 28     | 12.4 |

Wall or ceiling opening is nominal door size + 3/8" (9 mm)  
For detailed specifications see submittal sheet

MANUFACTURED BY ACUDOR



## PROJECT DATA

Custom Sizes Available - Fast!

| PROJECT NAME :         | QTY  | W | H | OPTIONS |
|------------------------|--|---|---|---------|
| ARCHITECT :            |  |   |   |         |
| DEALER :               |  |   |   |         |
| CONTRACTOR :           |  |   |   |         |
| LOCATION :             | SPECIAL INSTRUCTIONS :                       |   |   |         |
| DATE :                 |  |   |   |         |
| TAGGING INSTRUCTIONS : | SUBMITTAL APPROVAL :<br>(signature or stamp) |   |   |         |

Scan or Click



To view Pricing and Additional Product Info.



TELEPHONE:  
1-800-483-0823  
FAX:  
1-888-828-6021



385 WILSON STREET EAST,  
SUITE 302  
ANCASTER, ON, L9G 2C1  
CANADA

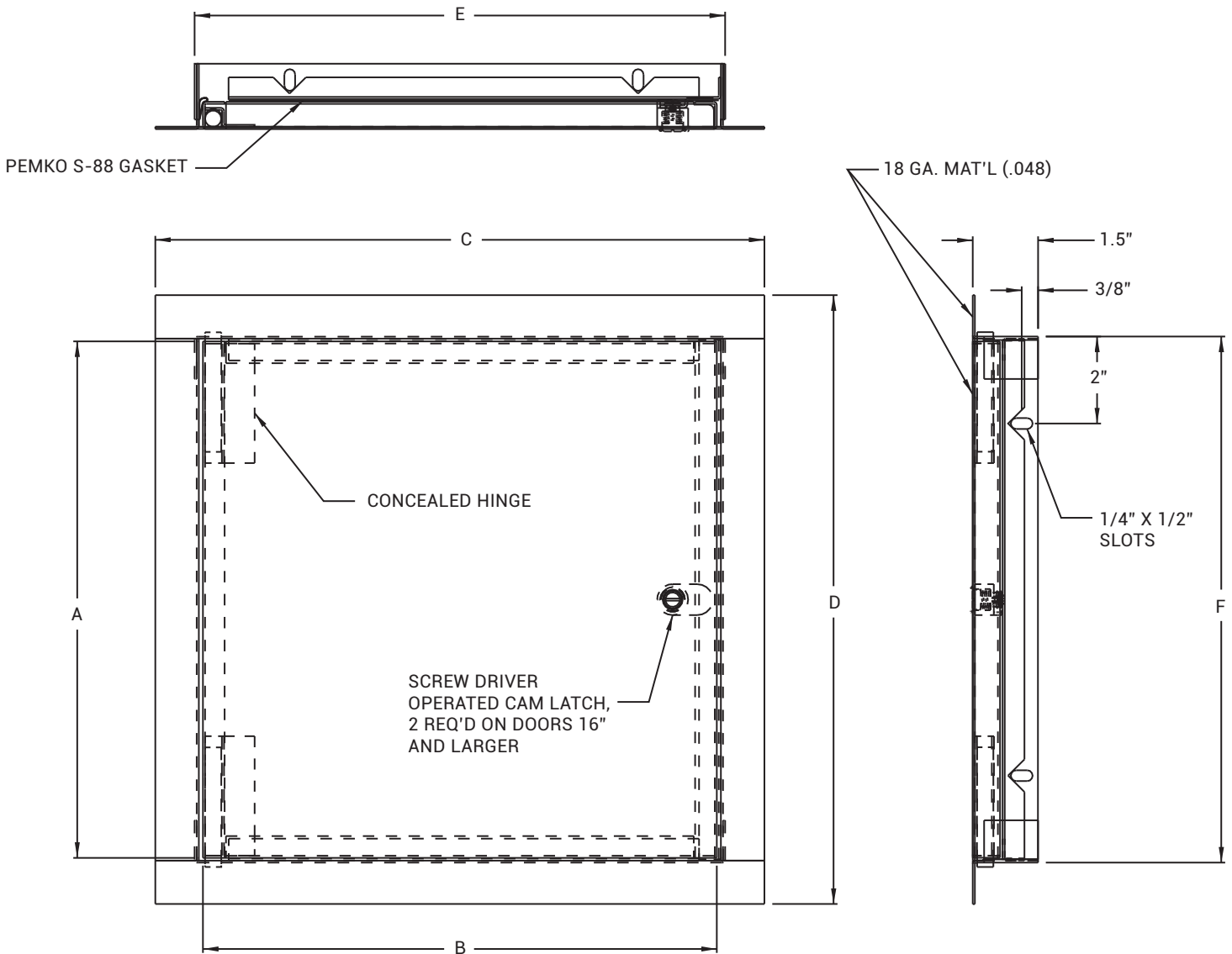


WEBSITE:  
[www.BestAccessDoors.ca](http://www.BestAccessDoors.ca)  
E-MAIL:  
[info@bestaccessdoors.ca](mailto:info@bestaccessdoors.ca)

# BAC-AS-9000

# SPECIALTY DOORS GASKETED ACCESS DOOR

| NOMINAL DOOR SIZE   | A            | B            | C           | D           | E           | F           | LATCH |
|---------------------|--------------|--------------|-------------|-------------|-------------|-------------|-------|
| in. (mm)            |              |              |             |             |             |             |       |
| 8 x 8 (203 x 203)   | 7.875 (200)  | 7.875 (200)  | 10.00 (254) | 10.00 (254) | 8.19 (208)  | 8.09 (205)  | 1     |
| 12 x 12 (305 x 305) | 11.875 (302) | 11.875 (302) | 14.00 (355) | 14.00 (355) | 12.19 (310) | 12.09 (307) | 1     |
| 16 x 16 (406 x 406) | 15.875 (403) | 15.875 (403) | 18.00 (457) | 18.00 (457) | 16.19 (411) | 16.09 (409) | 2     |
| 18 x 18 (457 x 457) | 17.875 (454) | 17.875 (454) | 20.00 (508) | 20.00 (508) | 18.19 (462) | 18.09 (459) | 2     |
| 24 x 24 (610 x 610) | 23.875 (606) | 23.875 (606) | 26.00 (660) | 26.00 (660) | 24.19 (614) | 24.09 (612) | 2     |
| 24 x 36 (610 x 914) | 35.875 (911) | 23.875 (606) | 26.00 (660) | 38.00 (965) | 24.19 (614) | 36.09 (917) | 2     |



MANUFACTURED BY ACUDOR