



Quality Access Doors- FAST!

SUBMITTAL/TECHNICAL DATA SHEET

APPLICATION

Provides easy access to all types of valves and controls that need to be concealed in the wall, but protected by a fully enclosed box

FEATURES

- The depth of the valve box can be modified to meet all the valve and control requirements
- When required, vision panels, louvers, engrave plates can be supplied, along with special holes for pipes or conduits

SPECIFICATIONS

MATERIAL: Stainless Steel or Steel: 16 gauge door, frame, box

DOOR: 16 gauge, flush to frame rounded safety corners

FRAME: 16 gauge, one piece outer flange welded to box

BOX: 16 gauge, fully enclosed, completely attached to frame. When required box can be made with open back.

HINGE: Continuous, concealed

LATCH: Cylinder lock & key, Also available: screwdriver operated cam latch, spanner head cam latch, flush paddle handle, thumb turn latch.

FINISH: Stainless Steel: Type 304 - #4 satin polish. Steel: 5 stage iron phosphate preparation with prime coat of White alkyd baked enamel

SKU: BAC-ARVB RECESSED VALVE BOXES



DIMENSIONS AND APPEARANCE

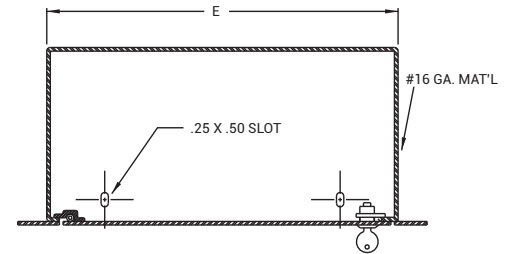
>> CLICK TO VIEW ADDITIONAL DETAILS AND PRICING <<

STANDARD SIZES:

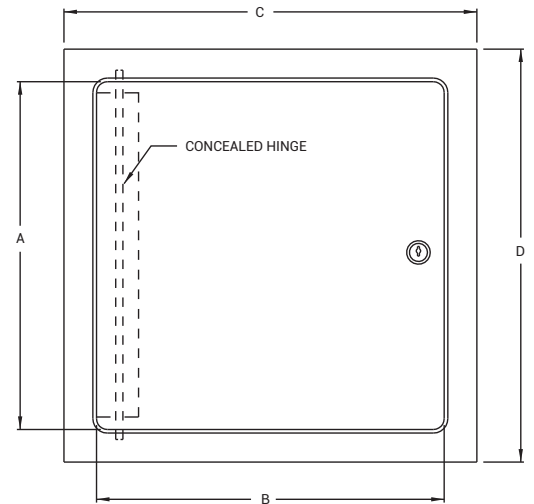
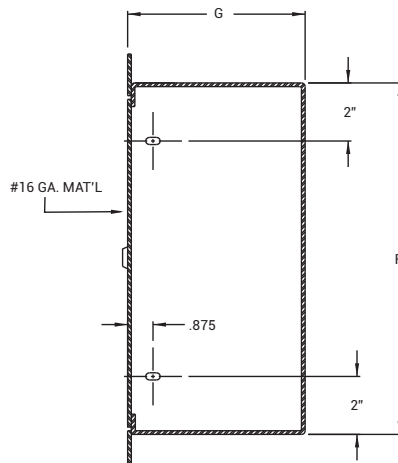
DOOR SIZE W x H INCHES (MM)	OPENING	WEIGHT	
		LBS	KG
8 x 8 x 4 (203 x 203 x 102)	1	5	2.3
8 x 8 x 6 (203 x 203 x 152)	1	7	3.2
8 x 8 x 8 (203 x 203 x 203)	1	9	4.1
12 x 12 x 4 (305 x 305 x 102)	1	9	4.1
12 x 12 x 6 (305 x 305 x 152)	1	12	5.5
12 x 12 x 8 (305 x 305 x 203)	1	14	6.4

Wall opening is W + 3/8" (9 mm)

For detailed specifications see submittal sheet



MANUFACTURED BY ACUDOR



For a complete list of options visit www.BestAccessDoors.ca

PROJECT DATA

Custom Sizes Available - Fast!

Scan or Click



To view Pricing and Additional Product Info.

PROJECT NAME :	QTY	W	H	OPTIONS
ARCHITECT :				
DEALER :				
CONTRACTOR :				
LOCATION :	SPECIAL INSTRUCTIONS :			
DATE :				
TAGGING INSTRUCTIONS :	SUBMITTAL APPROVAL : (signature or stamp)			

TELEPHONE:
1-800-483-0823
FAX:
1-888-828-6021



385 WILSON STREET EAST,
SUITE 302
ANCASTER, ON, L9G 2C1
CANADA

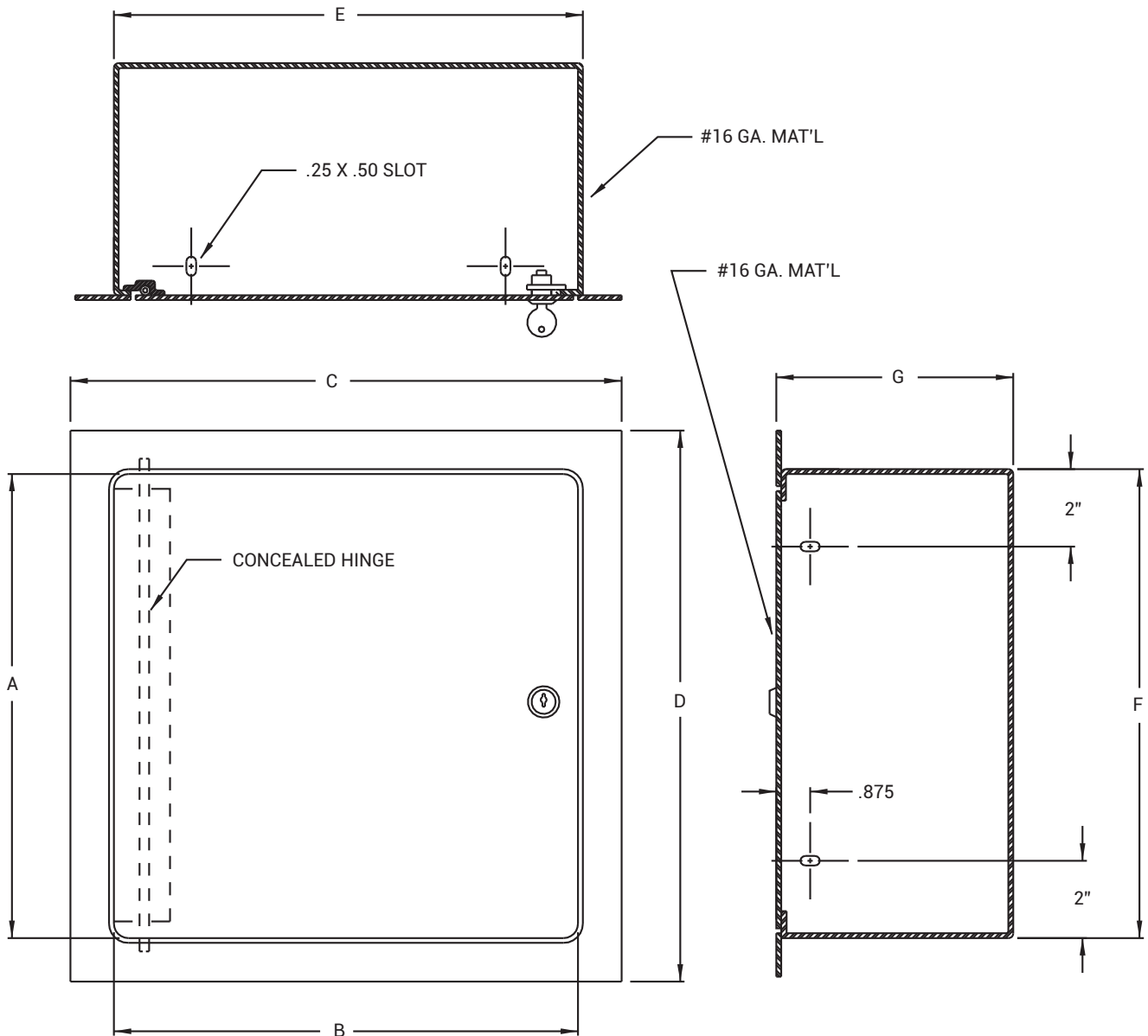


WEBSITE:
www.BestAccessDoors.ca
E-MAIL:
info@bestaccessdoors.ca

BAC-ARVB

RECESSED VALVE BOXES

NOMINAL DOOR SIZE	A	B	C	D	E	F	G	LOCK
8 x 8 x 4 (203 x 203 x 102)	7.45 (189)	7.45 (189)	9.62 (244)	9.62 (244)	8.25 (210)	8.25 (210)	4	1
8 x 8 x 6 (203 x 203 x 152)	7.45 (189)	7.45 (189)	9.62 (244)	9.62 (244)	8.25 (210)	8.25 (210)	6	1
8 x 8 x 8 (203 x 203 x 203)	7.45 (189)	7.45 (189)	9.62 (244)	9.62 (244)	8.25 (210)	8.25 (210)	8	1
12 x 12 x 4 (305 x 305 x 102)	11.45 (291)	11.45 (291)	13.62 (346)	13.62 (346)	12.25 (311)	12.25 (311)	4	1
12 x 12 x 6 (305 x 305 x 152)	11.45 (291)	11.45 (291)	13.62 (346)	13.62 (346)	12.25 (311)	12.25 (311)	6	1
12 x 12 x 8 (305 x 305 x 203)	11.45 (291)	11.45 (291)	13.62 (346)	13.62 (346)	12.25 (311)	12.25 (311)	8	1



BAC-ARVB

RECESSED VALVE BOXES

NOMINAL DOOR SIZE	A	B	C	D	E	F	G	LOCK
24 x 24 x 4 (610 x 610 x 102)	23.87 (606)	23.84 (606)	26.00 (660)	26.00 (660)	24.12 (613)	24.25 (616)	4	2
24 x 30 x 4 (610 x 762 x 102)	29.87 (759)	23.84 (606)	26.00 (660)	32.00 (813)	24.12 (613)	30.25 (768)	4	2
24 x 36 x 4 (610 x 914 x 102)	35.87 (911)	23.84 (606)	26.00 (660)	38.00 (965)	24.12 (613)	36.25 (921)	4	2
24 x 48 x 4 (610 x 1219 x 102)	47.87 (1216)	23.84 (606)	26.00 (660)	50.00 (1270)	24.12 (613)	48.25 (1226)	4	2

