



Quality Access Doors- FAST!

SUBMITTAL/TECHNICAL DATA SHEET

SKU: **BAC-AL**

ALUMINUM INSULATED ACCESS DOORS



The BAC-AL Aluminum Insulated Access Door is a light weight insulated aluminum access door. It is ideal for exterior applications, and also those specific interior applications where corrosion or moisture is a concern. The aluminum panel is insulated with 1" Silverboard Ridge Foam Insulation. Access to large openings in walls and ceilings is made easy. The non-extruded door frame has the same visual aesthetic design as the UAD door. Weather resistant neoprene gasketing is installed on 4 sides.

■ DIMENSIONS AND APPEARANCE

>> [CLICK TO VIEW ADDITIONAL DETAILS AND PRICING <<](#)

SPECIFICATION

DOOR AND TRIM: .063 Aluminum, trim 1 1/2" wide

RETURN FRAME: .063 Aluminum, depth of 2"

HINGE: Continuous rod hinge

LATCHES: Flush aluminum steel cam Insulation 1" AMVIC Silverboard Ridge Foam Insulation with a R5 Value

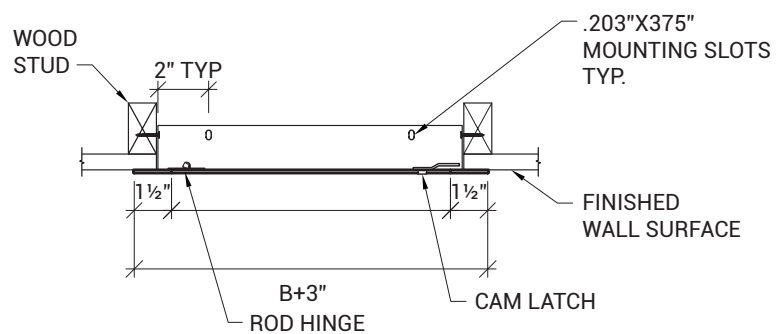
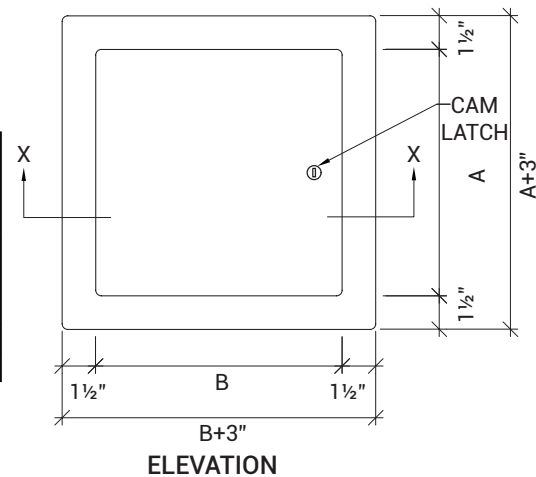
GASKET: Neoprene gasket included on 4 sides

FINISH: Mill finish

OPTIONS (AT EXTRA COST): Key medium barrel cylinder lock with key (code 151)

STANDARD SIZES:

MODEL NO	A X B DOOR SIZE	CAM LATCH	SHIPPING WEIGHT (LBS) STEEL/STAINLESS
BAC-AL 8X8	8" x 8"	1	3.5
BAC-AL 12X12	12" x 12"	3	06
BAC-AL 16X16	16" x 16"	3	09
BAC-AL 18X18	18" x 18"	3	15
BAC-AL 24X24	24" x 24"	4	24
BAC-AL 24X36	24" x 36"	5	45



For a complete list of options visit www.BestAccessDoors.ca

■ PROJECT DATA

Custom Sizes Available - Fast!

Scan or Click



PROJECT NAME :	QTY	W	H	OPTIONS
ARCHITECT :				
DEALER :				
CONTRACTOR :				
LOCATION :	SPECIAL INSTRUCTIONS :			
DATE :	SUBMITTAL APPROVAL : (signature or stamp)			
TAGGING INSTRUCTIONS :				

To view Pricing and Additional Product Info.

TELEPHONE:
1-800-483-0823
FAX:
1-888-828-6021



385 WILSON STREET EAST,
SUITE 302
ANCASTER, ON, L9G 2C1
CANADA



WEBSITE:
www.BestAccessDoors.ca
E-MAIL:
info@bestaccessdoors.ca