



Quality Access Doors - FAST!

SUBMITTAL/TECHNICAL DATA SHEET

STANDARD OPTIONS

- MATERIAL:**
16 gauge cold rolled steel
- HINGE:**
Continuous piano hinge
- LOCK / LATCH:**
Allen hex head cam latch
- RECESS:**
5/8" Standard
- FINISH:**
High quality white powder coat primer
- PACKAGING:**
Individually wrapped, 1 per box

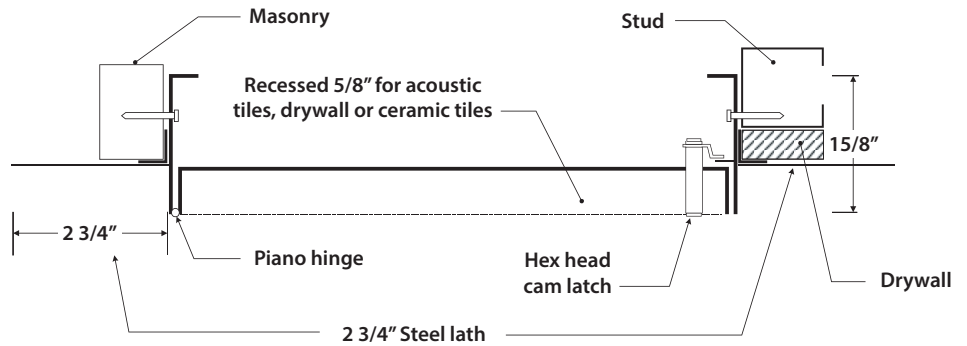


OPTIONS AVAILABLE

- LATCH:**
Key operated cylinder cam latch
- MATERIAL:**
Stainless steel 304 #4 (brushed finish)
- RECESS:**
1/2" to 3/4" (standard 2" frame)
13/16" to 1 1/2" (special 3" frame)

INSTALLATION

>> [CLICK TO VIEW ADDITIONAL DETAILS AND PRICING <<](#)



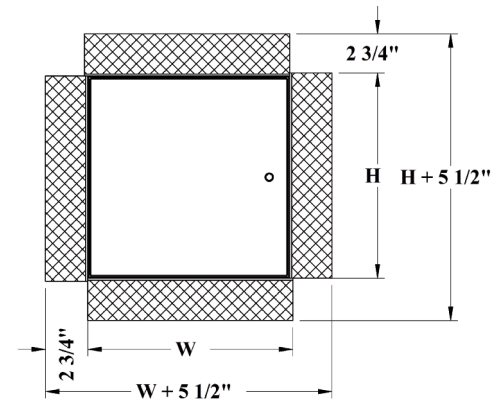
DIMENSIONS AND APPEARANCE

For a complete list of options visit www.BestAccessDoors.ca

STANDARD SIZES:

DOOR SIZE W x H INCHES (MM)	NUMBER OF LOCKS	WEIGHT	
		LBS	KG
8 x 8 (203 x 203)	1	3	1.4
12 x 12 (304 x 304)	1	5	2.3
16 x 16 (406 x 406)	1	9	4.1
18 x 18 (457 x 457)	1	11	5
24 x 24 (609 x 609)	1	16	7.3

Rough wall opening door size + 1/4" or +6mm



Scan or Click



To view Pricing and Additional Product Info.

LEED READY: THIS PRODUCT CONTRIBUTES TO LEED® CREDITS

PROJECT DATA

Custom Sizes Available - Fast!

PROJECT NAME :	QTY	W	H	OPTIONS
ARCHITECT :				
DEALER :				
CONTRACTOR :				
LOCATION :	SPECIAL INSTRUCTIONS :			
DATE :				
TAGGING INSTRUCTIONS :	SUBMITTAL APPROVAL : (signature or stamp)			



TELEPHONE:
1-800-483-0823
FAX:
1-888-828-6021



385 WILSON STREET EAST,
SUITE 302
ANCASTER, ON, L9G 2C1
CANADA



WEBSITE:
www.BestAccessDoors.ca
E-MAIL:
info@BestAccessDoors.ca