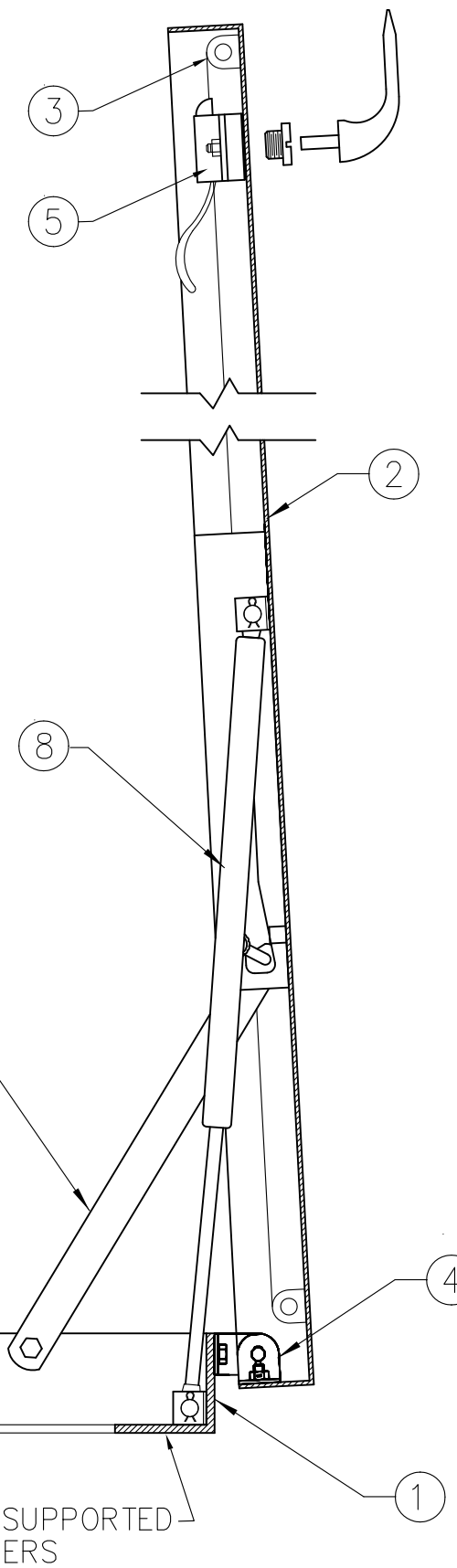


ABOVE SHOWN WITH OPTIONAL POST & CHAINS AND PADLOCK HASP



SECTION

FRAME SUPPORTED BY OTHERS

SPECIFICATIONS

- 3" X 3" X 1/4" ALUMINUM ANGLE FRAME
- 1/8" ALUMINUM DIAMOND PLATE COVER
- GASKET (ALL AROUND COVER)
- PINTLE HINGE (S/S)
- SLAM LOCK W/ REMOVABLE HANDLE & COVER PLUG
- HOLD OPEN ARM W/ RED VINYL GRIP
- GUIDE ARM (IF REQ'D-DETERMINED BY SIZE)
- GAS STRUT LIFTING MECHANISM (POWDER COATED)

OPTIONS

(SHOWN ON DRAWING FOR REFERENCE ONLY)

- PADLOCK LUGS (Ø1/2" HOLE, PADLOCK BY OTHERS)
- POSTS & CHAINS

SHOP FINISH:

ALUMINUM: MILL FINISH

HARDWARE: NON-CORROSIVE MATERIALS (UNLESS OTHERWISE SPECIFIED)

INSTALLER NOTES:

FOLLOW MANUFACTURES INSTALLATION INSTRUCTIONS, TO BE SUPPLIED WITH UNITS

CUSTOMER:

P.O. N°

JOB:

SALES REP:



www.BestAccessDoors.ca
 Fax: 1-888-828-6021
 Phone: 1-800-483-0823
 Email: info@BestAccessDoors.ca

SINGLE LEAF ACCESS DOOR TYPE SM - SURFACE MOUNT SIZE

QTY	TYPE	WIDTH x LENGTH
<input type="checkbox"/>	SM-1	2'-0" x 2'-0" [610mm] x [610mm]
<input type="checkbox"/>	SM-2	2'-6" x 2'-6" [762mm] x [762mm]
<input type="checkbox"/>	SM-3	3'-0" x 2'-6" [914mm] x [762mm]
<input type="checkbox"/>	SM-4	3'-0" x 3'-0" [914mm] x [914mm]
<input type="checkbox"/>	SM-5	3'-6" x 3'-6" [1067mm] x [1067mm]

FOR SIZE LIMITATIONS ON THIS PRODUCT, CONSULT FACTORY