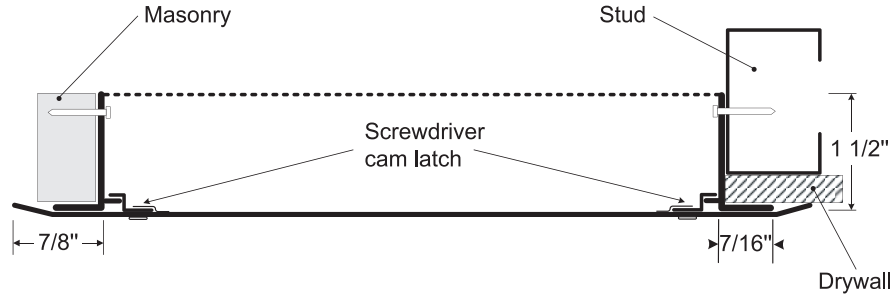


FLUSH UNIVERSAL REMOVABLE ACCESS DOOR WITH HIDDEN FLANGE

BA-RMD

INSTALLATION

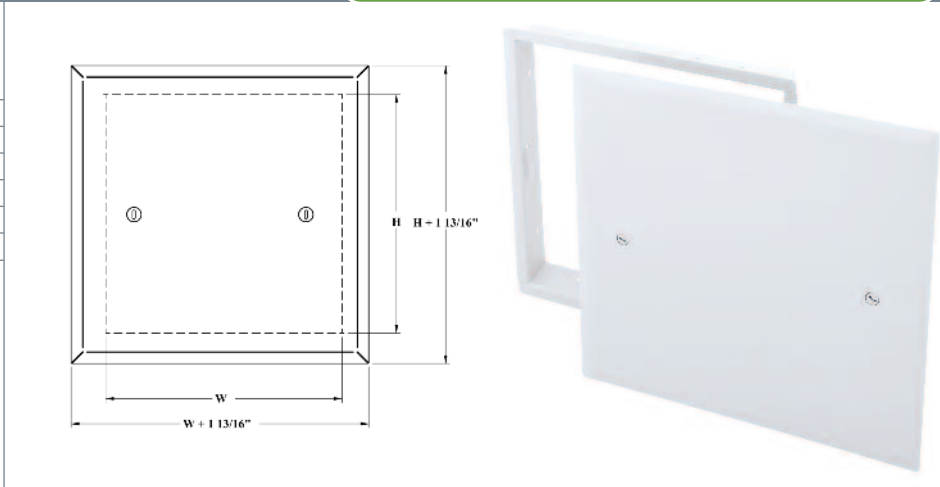


DIMENSION AND APPEARANCE

LEED ready: This product contributes to LEED® credits.

DOOR SIZE - W x H INCHES (MM)	NUMBER OF LOCKS	WEIGHT LBS KG	
8 x 8 (203 x 203)	2	3.5	1.6
12 x 12 (304 x 304)	2	5.9	2.7
16 x 16 (406 x 406)	2	8.7	3.9
24 x 24 (609 x 609)	4	16.7	7.6
Rough wall opening is door size + 1/4" or + 6mm			

**Your odd sizes:
Made in 5 days**



DESCRIPTION AND MATERIAL SPECIFICATION

Material: 16-gauge cold rolled steel

Lock / latch: screwdriver-operated cam latch

Finish: High quality white powder coat primer

Packaging: individually wrapped, 1 per box

POPULAR OPTIONS For complete list of options go to: www.BestAccessDoors.ca

Material : stainless steel door 304 #4 (brushed finish)

Lock / latch: hex-head cam latch

Installation: walls and ceilings



PROJECT DATA

PROJECT NAME:	QTY	W	H	OPTIONS
ARCHITECT:				
DEALER:				
CONTRACTOR:				
LOCATION:	SPECIAL INSTRUCTIONS:			
DATE:				
TAGGING INSTRUCTIONS:	SUBMITTAL APPROVAL: (signature or stamp)			