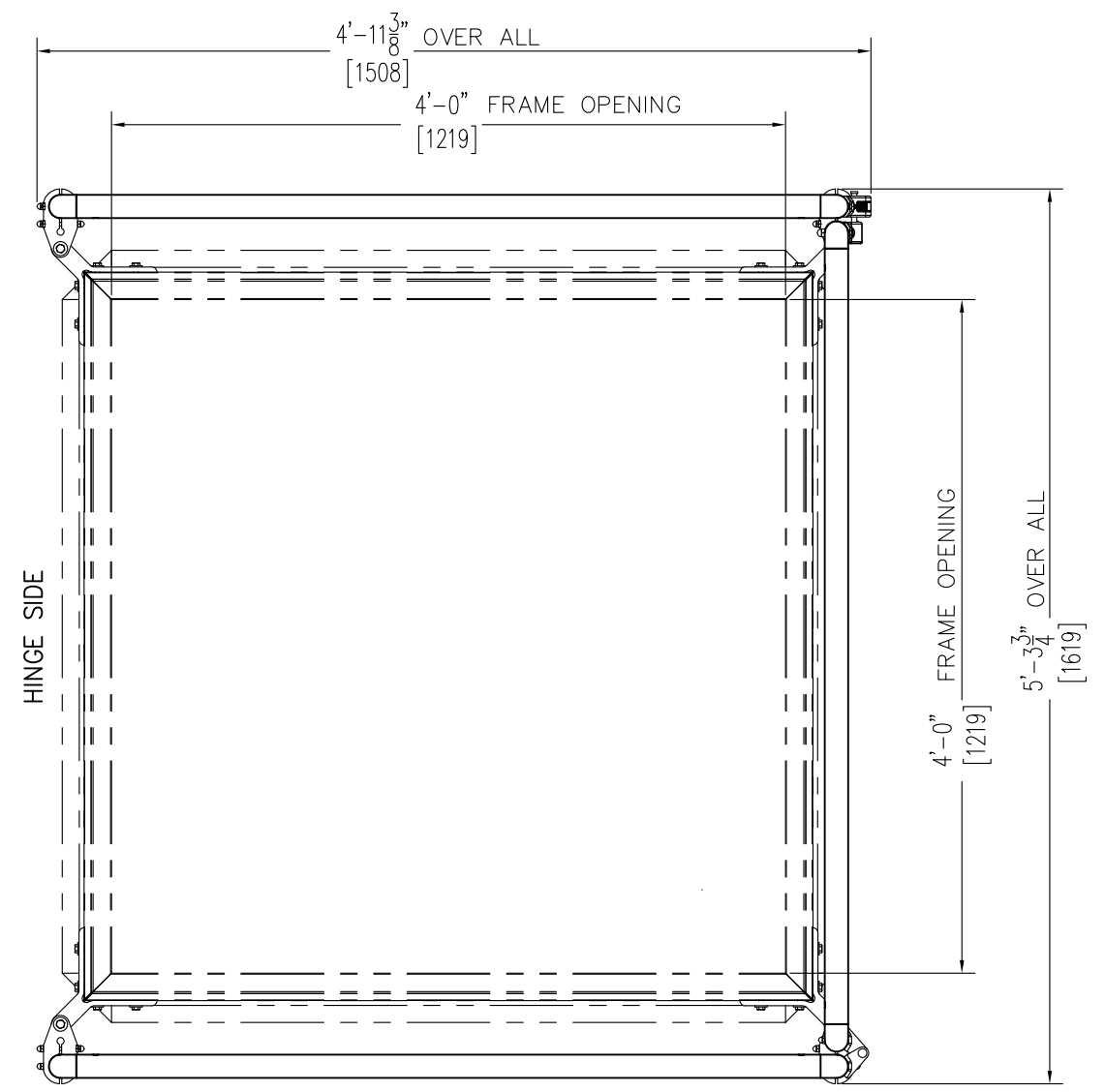
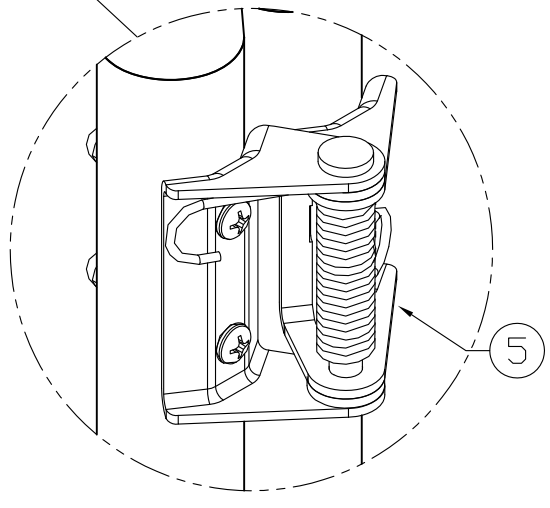
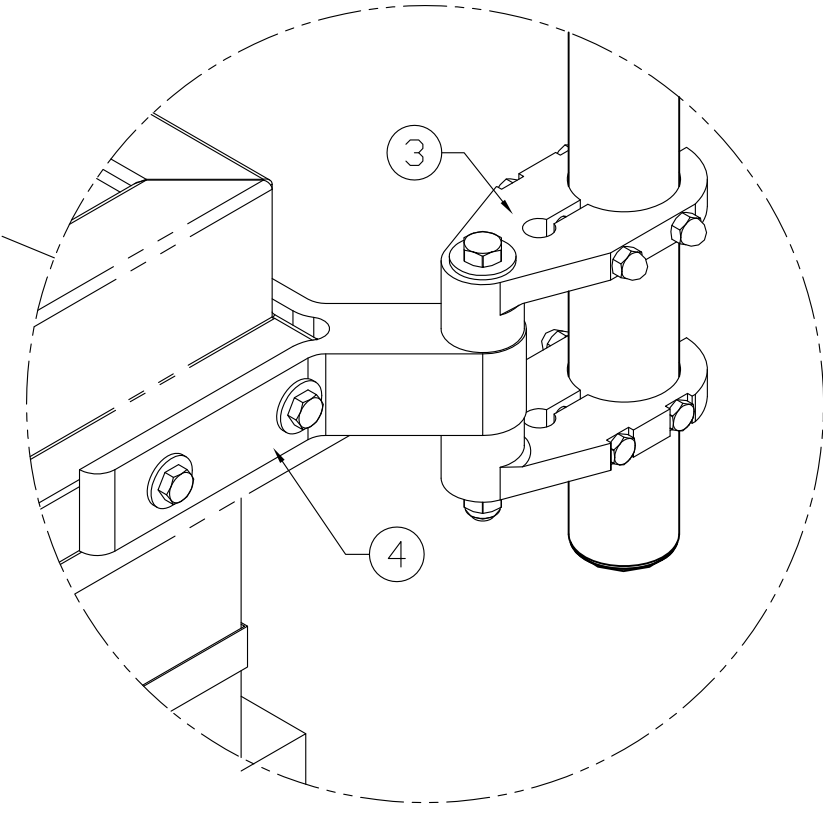
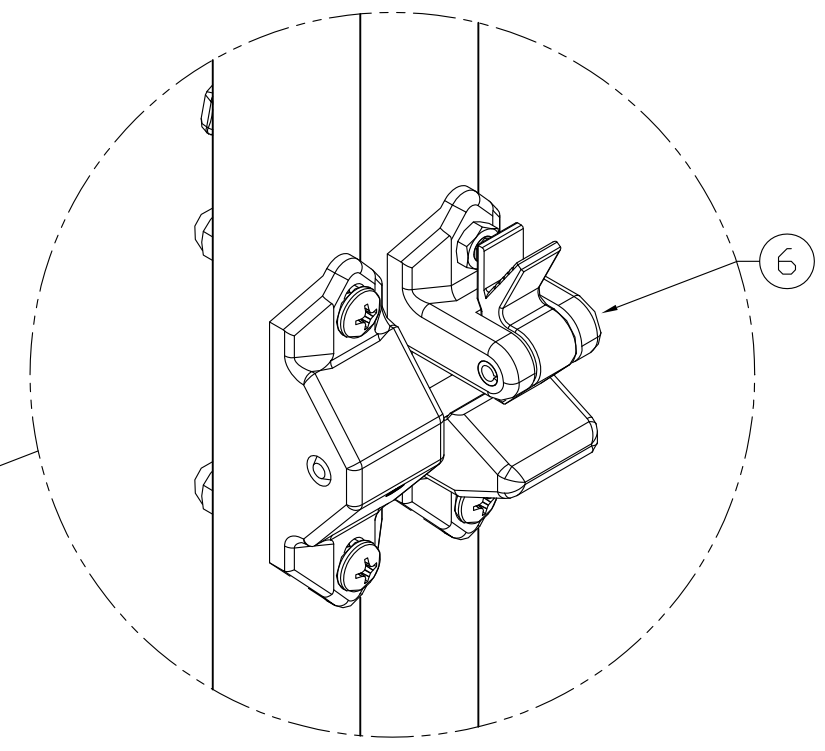


ISOMETRIC VIEW
SEE NOTE 1



PLAN VIEW
SHOWN WITHOUT COVER



SPECIFICATIONS

1. 1 1/4" SCHEDULE 40 PIPE IN 6061 T6 ALUMINUM ALLOY RAILS
2. SELF CLOSING GATE
3. ALUMINUM POST SUPPORTS
4. CORNER BRACKETS
5. STAINLESS STEEL SPRING HINGES
6. CAST ALUMINUM GATE LATCH W/ STAINLESS STEEL PIN

NOTES:

1. TOP OF RAIL TO BE SET 42" ABOVE THE ROOF SURFACE OR DECK
2. LEFT HAND GATE SHOWN
3. ALL FASTENERS ARE STAINLESS STEEL
4. ALL PARTS AND FASTENERS ARE INCLUDED IN PACKAGE. CAPFLASHING MUST BE STRUCTURALLY SOUND TO SUPPORT ASSEMBLY
5. POWDER COAT FINISH IN RAL 1018, SAFETY YELLOW

ROOF SCUTTLE NOT INCLUDED

CUSTOMER:

P.O. N°:

JOB:

SALES REP:



www.BestAccessDoors.ca
 Fax: 1-888-828-6021
 Phone: 1-800-483-0823
 Email: info@BestAccessDoors.ca

BIL-GUARD®2.0 – HATCH RAIL SYSTEM FOR SINGLE LEAF ROOF SCUTTLE WITH 1" STANDARD CAP FLASHING

QTY	TYPE	SIZE WIDTH x LENGTH
□	RL2-F	SIZE 4'-0" x 4'-0" [1219mm x 1219mm] HINGE SIDE

NOTE:
 THIS DRAWING REPRESENTS THE BIL-GUARD®2.0 HATCH RAIL SYSTEM, THE DOOR IS SHOWN FOR REFERENCE ONLY AND MAY NOT REFLECT ALL OPTIONS