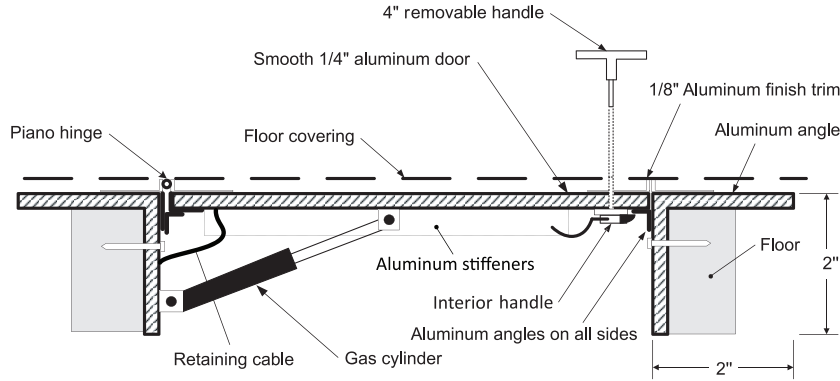


RECESSED ALUMINUM FLOOR HATCH

BA-PPA-RE

INSTALLATION

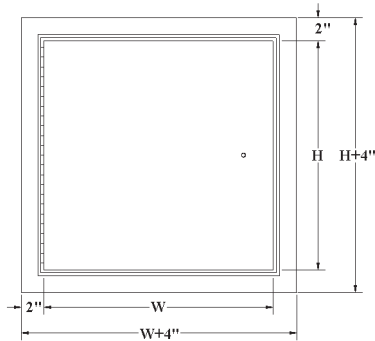


DIMENSIONS AND APPEARANCE

LEED ready: This product contributes to LEED® credits.

| HATCH SIZE - W x H INCHES (MM) | NUMBER OF LOCKS | WEIGHT LBS KG |
|---|--------------------|------------------|
| 24 x 24 (609 x 609) | 1 | 35 15.9 |
| 24 x 36 (609 x 914) | 1 | 44 20 |
| Rough floor opening is door size + 1/2" or + 13mm | | |

**Your odd sizes:
Made in 10 days**



DESCRIPTION AND MATERIAL SPECIFICATION

Material: DOOR: aluminum plate 1/4" (6.35 mm)
FRAME: 2" x 2" x 1/4" aluminum angle

Hinge: heavy duty aluminum continuous piano hinge (0.080")

Lock / latch: 4" removable handle

Recess: 1/4" standard

POPULAR OPTIONS For complete list of options go to: www.BestAccessDoors.ca

Recess: 1/8", 3/8", 1/2" and 3/4"

Caution: The PPA floor access door is designed to support a live load of 300 pounds/sq.foot and includes a hold open arm to keep the door in an open position.



PROJECT DATA

| PROJECT NAME: | QTY | W | H | OPTIONS |
|-----------------------|---|---|---|---------|
| ARCHITECT: | | | | |
| DEALER: | | | | |
| CONTRACTOR: | | | | |
| LOCATION: | SPECIAL INSTRUCTIONS: | | | |
| DATE: | | | | |
| TAGGING INSTRUCTIONS: | SUBMITTAL APPROVAL: (signature or stamp) | | | |

ADDRESS: Box 30021 - RPO Upper James St, Hamilton, Ontario, L9B 0E4

Tel.: 1-800-483-0823

Fax: 1-888-828-6021

www.BestAccessDoors.ca
sales@bestaccessdoors.ca