

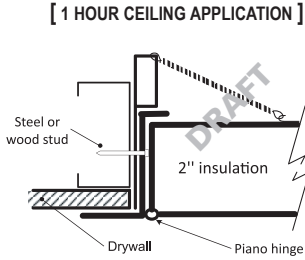
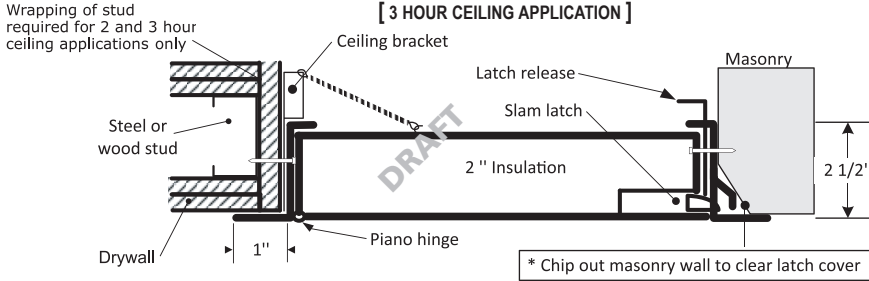


Best Access Doors

FIRE RATED INSULATED ACCESS DOOR STAINLESS STEEL FOR ALL SURFACE TYPES

BA-PFI-SS

INSTALLATION: WALLS AND CEILINGS

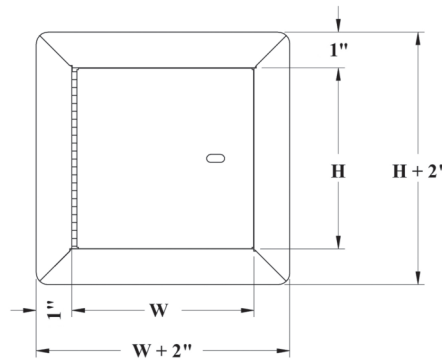


Authorities Having Jurisdiction (AHJ) should be consulted in all cases as to the particular requirements covering the installation and use of fire rated access doors.

DIMENSIONS AND APPEARANCE

DOOR SIZE W x H inches (MM)	NUMBER OF LOCKS	WEIGHT LBS KG
8 x 8 (203 x 203)	1	7 3.2
10 x 10 (254 x 254)	1	8 3.6
12 x 12 (304 x 304)	1	10 4.5
14 x 14 (355 x 355)	1	12 5.4
16 x 16 (406 x 406)	1	14 6.4
18 x 18 (457 x 457)	1	17 7.7
22 x 22 (558 x 558)	1	20 9.1
22 x 30 (558 x 762)	1	30 13.6
22 x 36 (558 x 914)	2	34 15.5
24 x 24 (609 x 609)	1	28 12.7
24 x 36 (609 x 914)	2	36 16.4
* 24 x 48 (609 x 1219)	2	48 21.8
* 30 x 30 (762 x 762)	1	40 18.1
* 32 x 32 (812 x 812)	2	43 19.5
* 36 x 36 (914 x 914)	2	50 22.7
* 48 x 48 (1219 x 1219)	2	83 37.7

LEED ready: This product contributes to LEED® credits.



Rough wall opening is door size + 1/4" or + 6mm
*Not available for ceiling rating (maximum 24"x36")

Your odd sizes:
Made in 5 days

DESCRIPTION AND MATERIAL SPECIFICATION

FIRE RATING: For installation in vertical wall assemblies:
RATING 1 1/2 HOURS. Temperature rise: 250°F (139°C) at 30 mins. and 450°F (250°C) at 60 mins. Maximum door size of 48" x 48".
RATING 3 HOURS. Temperature rise: 400°F at 60 mins. Maximum door size of 48" x 48".

FIRE RATING: For installation in horizontal ceiling assemblies:
WITH TEMPERATURE RISE: Rating 3 hours for non-combustible assembly and 1 hour for combustible assembly: Temperature rise: Max 250°F (139°C) at 30 mins, 450°F (250°C) at 60 mins. Maximum door size of 24" x 36" or 864 sq inches (see note 1)
WITHOUT TEMPERATURE RISE: Rating: 3 hours for non-combustible assembly and 1 hour for combustible assembly.

STANDARDS LISTED: NFPA 252-2003, UL 10(b), UL 555, CAN/ULC S112 M90-R2001, CAN/ULC S104-10, MEA # 507-06-M

- Material:** stainless steel #4 (brushed finish)
 - Insulation:** mineral wool
 - Hinge:** continuous piano hinge
 - Lock / latch:** self latching tool-key operated slam latch and/or ring operated slam latch, both included
 - Inside panel release:** standard on all doors over 12" x 12"
 - Automatic panel closer:** standard on all doors
 - Finish:** high quality white powder coat primer
 - Packaging:** individually wrapped, 1 per box
- POPULAR OPTIONS**
- For complete list of options go to: www.BestAccessDoors.ca**
 - handle operated slam latch, mortise preparation for
 - Lock / latch:** cylinder (cylinder optional), hex head slam latch, mortise deadbolt lock
 - Masonry anchor:** available on all sizes



NOTE 1: Maximum door size 24" x 36" can also be calculated by multiplying the surface area of the door (24" x 36"). The maximum surface area is 864 sq. inches. All door sizes equal to or smaller than 864 sq. inches fall within the standards. In addition, sizing of the doors have a maximum 3" allowance as long as the area of the doors are kept to the minimum requirement.

PROJECT DATA

PROJECT NAME:	QTY	W	H	OPTIONS
ARCHITECT:				
DEALER:				
CONTRACTOR:				
LOCATION:	SPECIAL INSTRUCTIONS:			
DATE:				
TAGGING INSTRUCTIONS:	SUBMITTAL APPROVAL: (signature or stamp)			

ADDRESS: Box 30021 - RPO Upper James St, Hamilton, Ontario, L9B 0E4

Tel.: 1-800-483-0823
Fax: 1-888-828-6021

www.BestAccessDoors.ca
sales@bestaccessdoors.ca