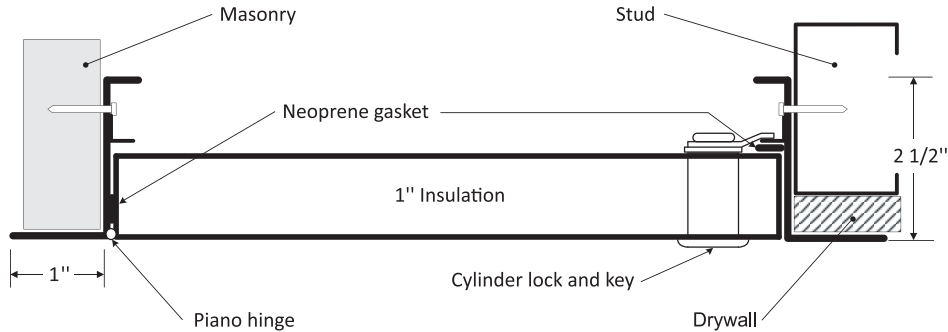


### LIGHTWEIGHT INSULATED ALUMINUM ACCESS DOOR FOR ALL SURFACE TYPES

# BA-PAL

#### INSTALLATION

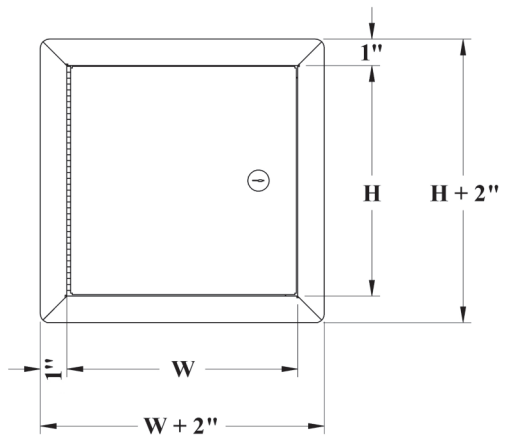


#### DIMENSIONS AND APPEARANCE

LEED ready: This product contributes to LEED® credits.

DOOR SIZE - W x H INCHES (MM)	NUMBER OF LOCKS	WEIGHT LBS KG	
8 x 8 (203 x 203)	1	2	0.9
12 x 12 (304 x 304)	1	3	1.4
16 x 16 (406 x 406)	1	6	2.7
18 x 18 (457 x 457)	1	7	3.2
24 x 24 (609 x 609)	1	13	5.9
36 x 36 (914 x 914)	2	21	9.5
Rough wall opening is door size + 1/4" or + 6mm			

**Your odd sizes:  
Made in 5 days**



#### DESCRIPTION AND MATERIAL SPECIFICATION

- Material:** 0.064" aluminum
- Insulation:** 1" fiberglass
- Hinge:** aluminum continuous piano type
- Gasketing:** neoprene all around perimeter
- Lock / latch:** cylinder lock and key
- Finish:** high quality white powder coat primer
- Packaging:** individually wrapped, 1 per box

**POPULAR OPTIONS** For complete list of options go to: [www.BestAccessDoors.ca](http://www.BestAccessDoors.ca)

- Material:** stainless steel 304 #4 (brushed finish)
- Lock / latch:** screwdriver operated cylinder cam latch, mortise slam latch preparation (cylinder optional), handle operated cam latch



#### PROJECT DATA

PROJECT NAME:	QTY	W	H	OPTIONS
ARCHITECT:				
DEALER:				
CONTRACTOR:				
LOCATION:	SPECIAL INSTRUCTIONS:			
DATE:				
TAGGING INSTRUCTIONS:	SUBMITTAL APPROVAL: (signature or stamp)			