

# Drywall Access Panel for Exterior Facade

System MPL/MPLV - Access panel for plaster

## Description

The access panel consists of aluminium profiles, a sheet steel insert with expanded metal and a round cylinder lock with key. Both, an outer and an inner frame of the access panel consist of four single frames, which are firmly connected due to a special welding process.

The access panel is equipped with a safety-system against accidental opening. In order to avoid accidents, this safety-system has to be secured after each opening. A joint gap of 1/8" (3 mm) is visible between outer frame and door leaf, which is equipped with an innovative brush joint (air-tight and dust-resistant) and, in addition, with a special joint (water resistant). Access panels for facades in the outer area are applicable for direct mounting into solid walls (without external wall insulation system) or for installation into a wall insulation system (foam-sealed).



Door leaf with plaster fabric



Version 1: MPL



Version 1: MPL



Version 2: MPLV



Version 2: MPLV

## Standard Sizes

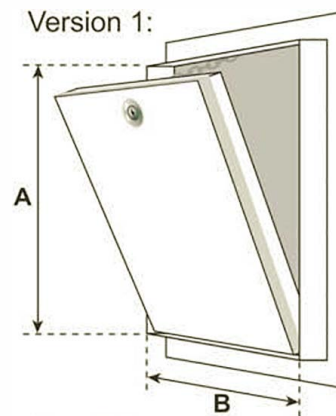
System MPL	Dimensions	
Code	A inch   mm	B inch   mm
MPL203203	8"   203	8"   203
MPL305305	12"   305	12"   305
MPL406406	16"   406	16"   406
MPL508508	20"   508	20"   508
MPL610610	24"   610	24"   610

All standard sizes are available at short notice.

## Options

- SD** Screwdriver operated cam latch
- FS** Screwdriver operated four-square cam latch
- Z** Round Cylinder Lock with Key
- M** Mortise Cylinder Lock Preparation
- H** Hex Head Cam Latch
- P** Pinned Hex Head Cam Latch

Rough opening is door size + 3/8" (9 mm)



with 1/4" (6.35 mm) Hardie Board inlay

also available: side-opening

## Customized solutions

Customized sizes can be produced in every dimension upon request.

## Particular advantages of our system

- Economical solution
- Delivery at short notice on request
- Easy and quick assembly
- Solid aluminium frame
- Sophisticated solution
- Flush installation in facades