

BA-DW-5058-1

Recessed Access door for 1/2" drywall,
Drywall Panel Door

Application

- Designed to provide access in walls and ceilings, while maintaining an invisible, architecturally pleasing appearance

Product Features

- Designed for installation in 1/2" drywall
- Aluminum Extrusion Door & Frame
- Powder Painted
- Dust seal gasket
- Concealed Touch latch

BA-DW-5058-1 Access Door Specifications:

Material: Aluminum extrusion with drywall fitted in door panel

Door Frame: Aluminum extrusion 6063-T6 recessed to provide similar edge to drywall bead to allow for finishing of wall or ceiling surface.

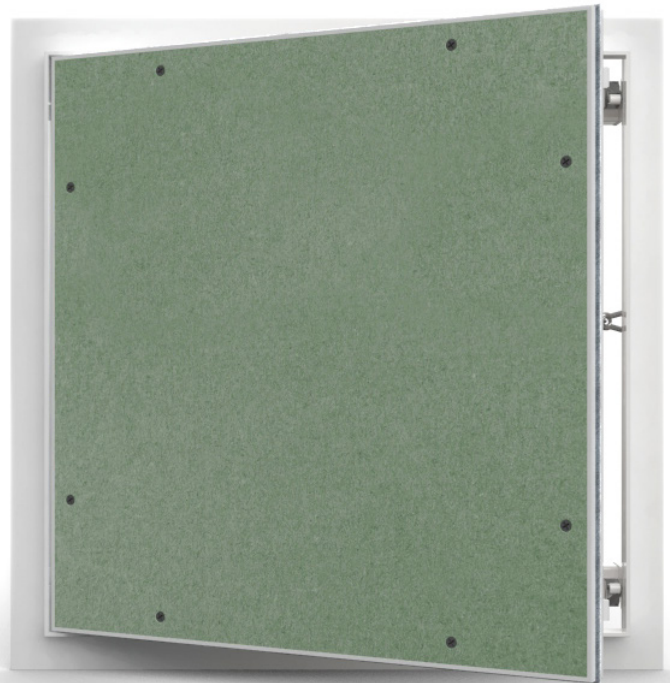
Hinge: Wing hinge allows door panel to open to 90 degrees, and also allows for door panel to be removed from frame. Safety chain installed on door & frame for safety.

Gasket: Dust seal gasket

Standard Latch: Concealed Touch Latches

Optional Latches/Locks: Screwdriver operated cam latch, allen head cam latch, spanner head cam latch, cylinder lock & key.

Finish: Powder Painted White

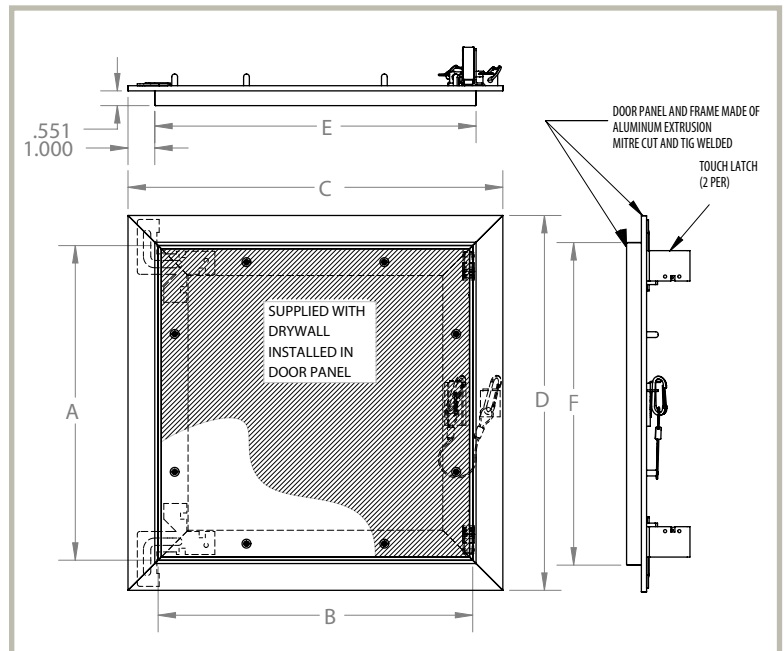


STANDARD SIZES *(other sizes available upon request)*

Nominal Door Size W&H		Weight per Door	
inches	mm	lbs.	kg.
8 x 8	203 x 203	1.5	0.7
12 x 12	305 x 305	2.0	0.9
16 x 16	406 x 406	5.0	2.3
18 x 18	457 x 457	6.0	2.7
24 x 24	610 x 610	12.0	5.5
24 x 36	610 x 914	21.0	9.5

Wall opening is normal door size plus +1/2" (12mm)

For detailed specifications see submittal sheet



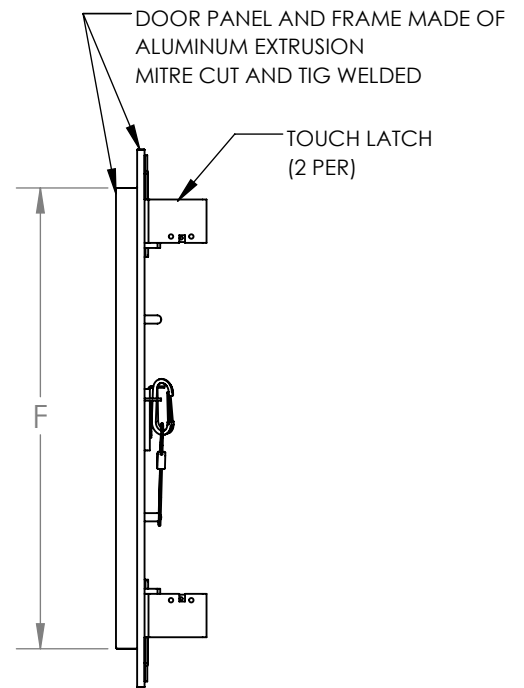
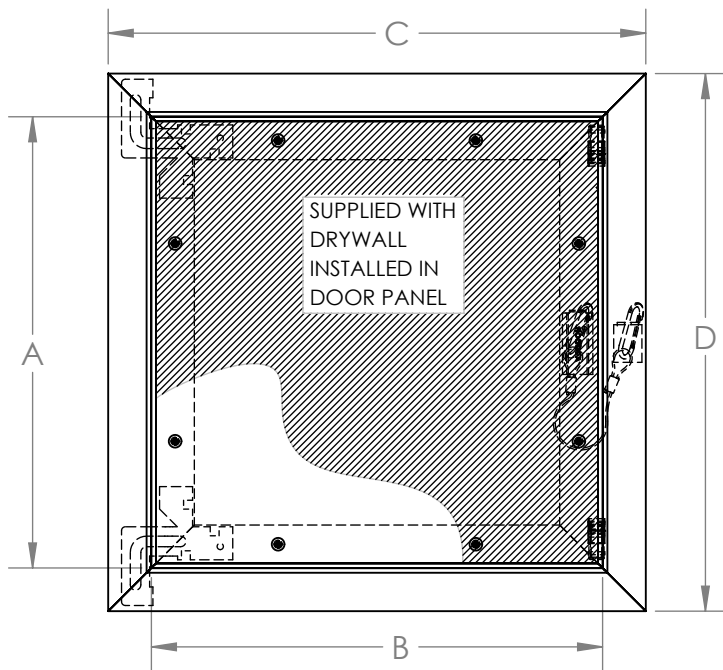
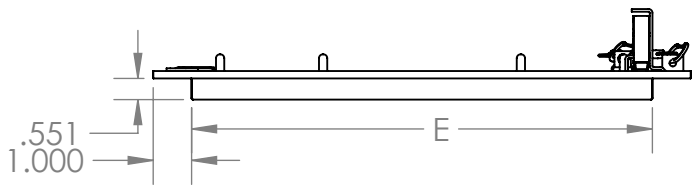


For more information, contact Best Access Doors
 www.BestAccessDoors.ca
 Phone: 1-800-483-0823
 Fax: 1-888-828-6021
 Email: info@BestAccessDoors.ca

BA-DW-5058-1

RECESSED WITH DRYWALL

QTY	NOMINAL SIZE	A	B	C	D	E	F	LOCK
	8 X 8 (203 X 203)	7.750	7.750	10.000	10.000	8.000	8.000	2
	12 x 12 (305 x 305)	11.750	11.750	14.000	14.000	12.000	12.000	2
	16 x 16 (406 x 406)	15.750	15.750	18.000	18.000	16.000	16.000	2
	18 x 18 (457 x 457)	17.750	17.750	20.000	20.000	18.000	18.000	2
	24 x 24 (610 x 610)	23.750	23.750	26.000	26.000	24.000	24.000	2
	24 x 36 (610 x 914)	23.750	35.750	26.000	38.000	24.000	36.000	2



STANDARD FEATURES:
 TOUCH LATCH; REMOVABLE DOOR PANEL;
 SUITABLE FOR INSTALLATION IN 1/2" DRYWALL;
 ALUMINUM DOOR AND FRAME POWDER PAINTED;
 DOORS OVER 12" X 12" HAVE SAFETY CHAIN;
 DUST SEAL GASKET.

- OPTIONS: LOCK TYPE
- SCREWDRIVER OPERATED CAM LATCH
 - ALLEN HEAD CAM LATCH
 - SPANNER HEAD CAM LATCH
 - CYLINDER LOCK & KEY

JOB NAME:
 CUSTOMER:

APPROVED BY:
 DATE: